

Actuator

BD21



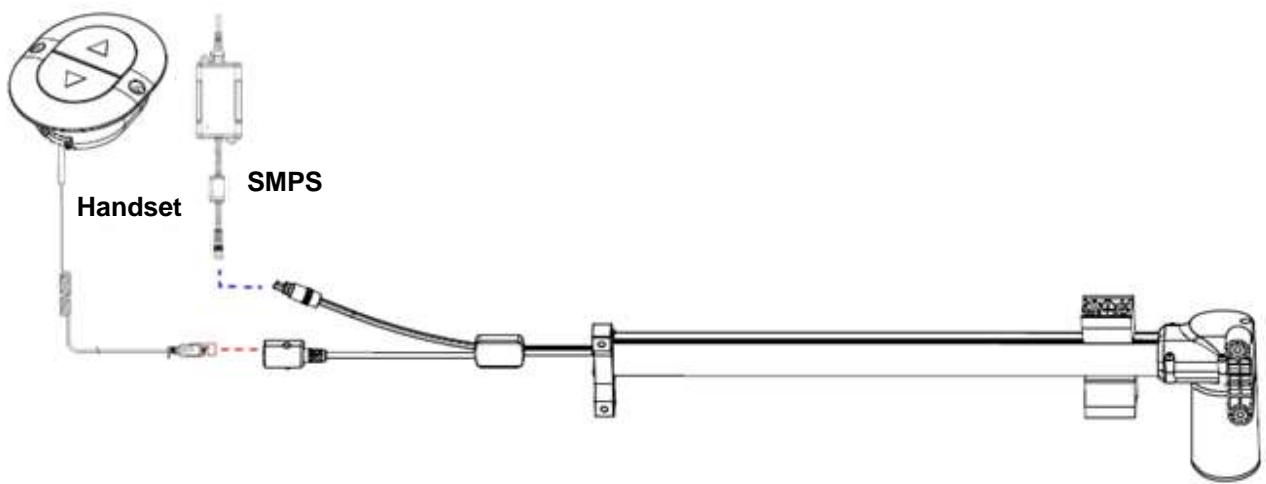
Features

- ◆ BD21 is a quiet and rapid actuator. It allows a big stroke range in confined space, small fitting dimensions, and with excellent mechanical design to provide high speed and self-lock performance, which make BD21 an ideal solution for zerowall recliners. It is able to connect with handset and power supply, and make up a simple system without control box.
- ◆ Main applications : Furniture
- ◆ Input voltage : 24V DC
- ◆ Max. load : 1500N in push and pull directions
- ◆ Max. current : 2.3 A @ 29V DC
- ◆ Max. speed at no load : 55 mm/sec
- ◆ Max. speed at full load : 49 mm/sec @ 1500N
- ◆ Stroke : ≤ 333 mm
- ◆ Duty cycle : 10% or Max. 2 min continuous operation.
- ◆ Ambient operation temperature : $-20^{\circ}\text{C} \sim +65^{\circ}\text{C}$
- ◆ Color : Grey
- ◆ Certified : CE Marking, EMC Directive 2014/30/EU

Compatibility

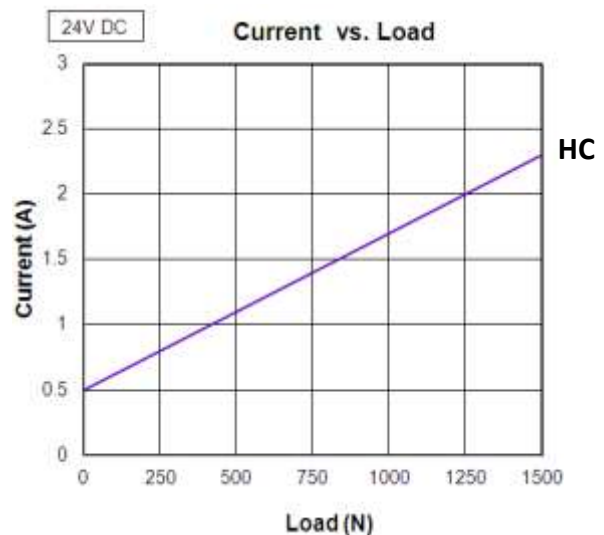
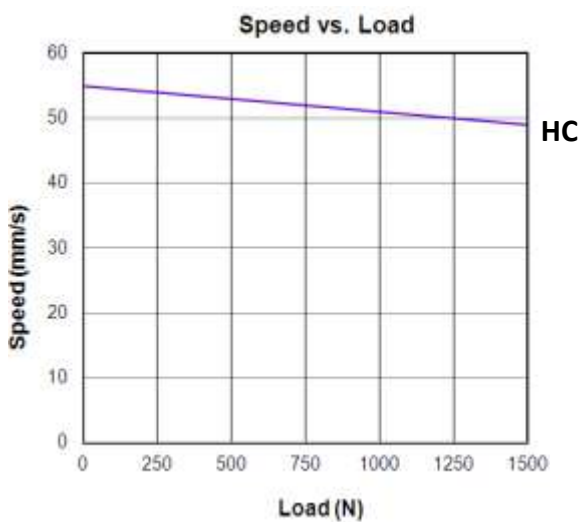
1. **Handset** : HB, HR, H2G, H3B, HS01, HS02, TPSG
2. **Power supply** : TSW1, TSW2, TSW3, TSW4

Connection Example:

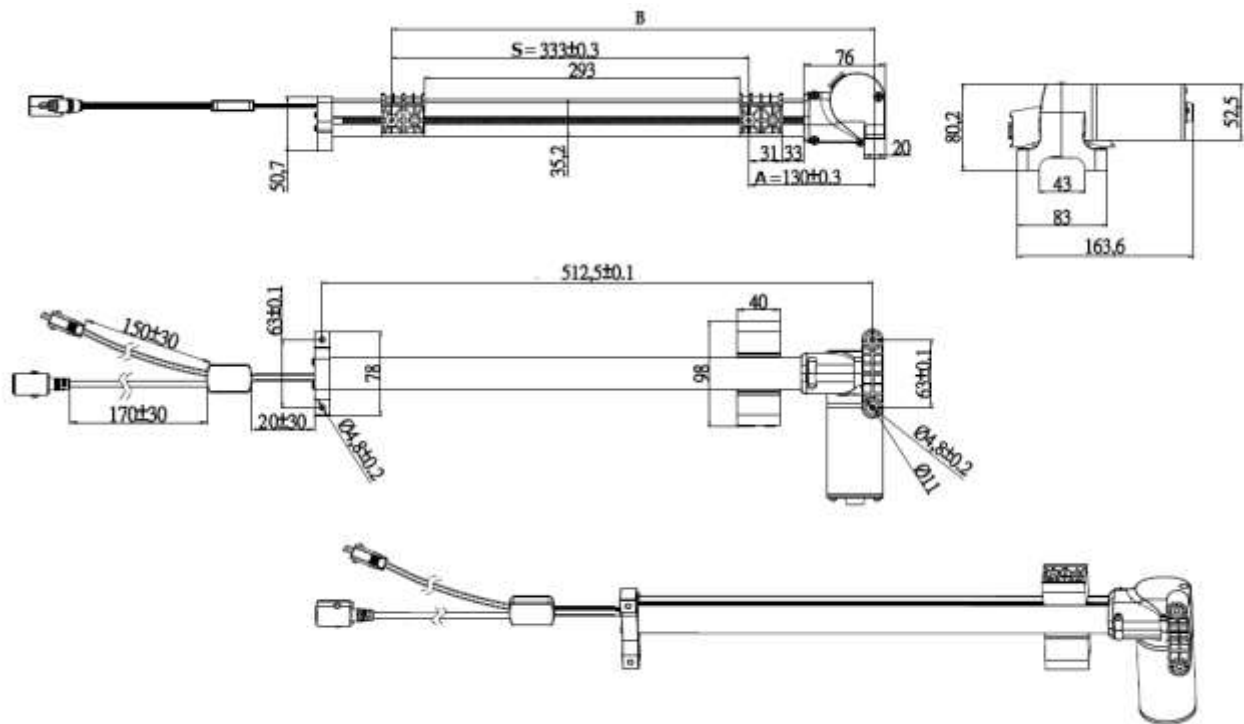


Performance Data

Model No.	Max. Load (N)		Speed (mm/s)		Current (A) @24VDC	
	Push	Pull	No load	Full load	No load	Full load
BD21-24-HC-130.463	1500	1500	55	49	0.5	2.3



Dimensions



Unit: mm

Stroke (S)	≤ 333 mm
Retracted length (A)	≥ 130 mm
Extended length (B)	$B=A+S$

Ordering Key

BD21 – 24 – HC – 130.463

Input voltage

24 : 24V DC

Motor & Spindle

HC

(Refer to the Performance data)

Retracted Length

(Refer to the Dimension paragraph)

Extended Length

(Refer to the Dimension paragraph)

Terms of Use

The user is responsible for determining the suitability of MOTECK products for specific applications. Due to continuous development in order to improve its products, MOTECK products are subject to frequent modifications and changes without prior notice. MOTECK reserves the right to discontinue the sale of any products displayed on its website or listed in its catalogue or other written materials drawn up by MOTECK.