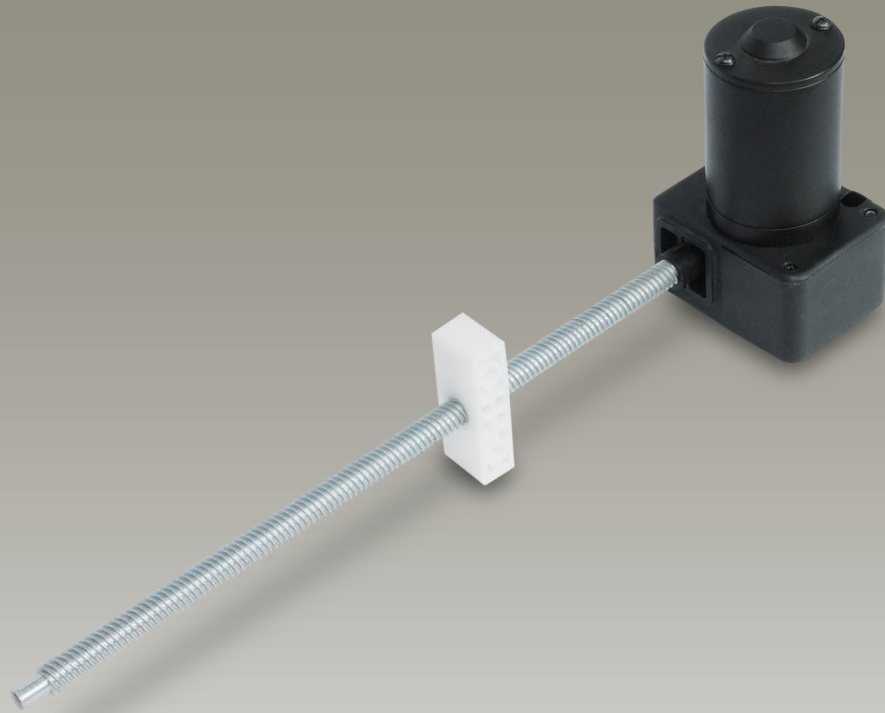


Actuator

BDN60



Features

- ◆ BDN60 is a quiet and powerful actuator designed for use in furniture, homecare and fitness equipment. The actuator block allows a big stroke range in confined spaces. The small fitting dimensions make BDN60 an ideal solution for recliners with lifting assistance.
- ◆ Main applications : furniture, homecare, and fitness equipment
- ◆ Input voltage : 24V DC / 12V DC
- ◆ Max. load : 6000N (push) / 4000N (pull)
- ◆ Max. current : 6A @ 12V DC, 3A @ 24V DC
- ◆ Max. speed at no load : 33.3 mm/sec
- ◆ Max. speed at full load : 2.9 mm/sec @ 6000N
- ◆ Stroke : 100~1600mm
- ◆ Duty cycle : 10% or 2 min continuous operation in 20 min.
- ◆ Color : Black
- ◆ Certified : EN61000-6-1 / EN61000-6-3 / EN61000-4-2 / EN61000-4-3 / EN61000-4-8
IEC61000-4-2 / IEC61000-4-3 / IEC61000-4-8
- ◆ Noise Level : ≤ 53 dB
- ◆ Adjustable limit switches
- ◆ Without outer tube

Options

- ◆ Positioning signal feedback with Hall effect sensor x 1
- ◆ Positioning signal feedback with Hall effect sensor x 2

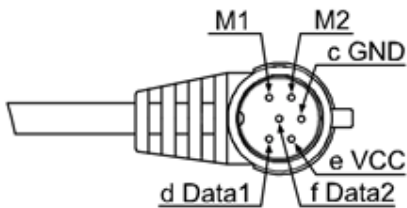
Compatibility

1. Control box

With positioning feedback	CB3T, CB4M
Without positioning feedback	T control, CSI, TR11, TL01

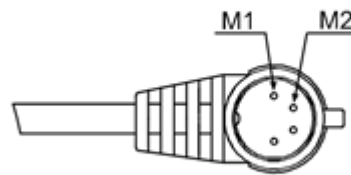
Pin Assignment

1x or 2x Hall sensors
for positioning



M1(+) & M2(-) : Extends
Pin 'Data2' is defined for 2x Hall sensors only

No sensor feedback



M1(+) & M2(-) : Extends

2. Handset

HA, HC, HD, HJ, HM, H2N, H3N

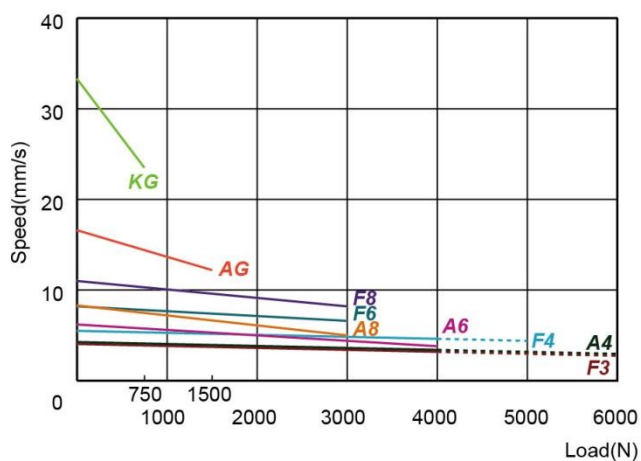
3. Accessory

None

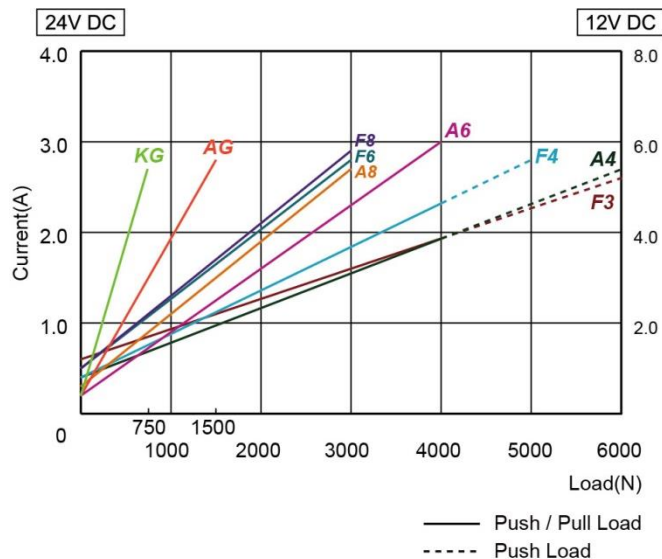
Performance Data

Model No.	Push Max. (N)	Pull Max. (N)	Speed (mm/s)		Current (A)			
			No load	Full load	No load		Full load	
					12V	24V	12V	24V
BDN60-XX-F3- XXX.XXX	6000	4000	4.1	2.8	1.2	0.6	5.2	2.6
BDN60-XX-A4- XXX.XXX	6000	4000	4.2	2.9	0.8	0.4	5.4	2.7
BDN60-XX-F4- XXX.XXX	5000	3500	5.5	4.4	0.8	0.4	5.6	2.8
BDN60-XX-A6- XXX.XXX	4000	3000	6.2	3.8	0.4	0.2	5.0	2.5
BDN60-XX-F6- XXX.XXX	4000	3000	8.2	6.6	1.0	0.5	5.6	2.8
BDN60-XX-A8- XXX.XXX	3000	2500	8.3	5.0	0.6	0.3	5.4	2.7
BDN60-XX-F8- XXX.XXX	3000	2500	11.0	8.2	1.0	0.5	5.8	2.9
BDN60-XX-AG- XXX.XXX	1500	1500	16.6	12.2	0.4	0.2	5.6	2.8
BDN60-XX-KG- XXX.XXX	750	750	33.3	23.5	0.4	0.2	5.2	2.6

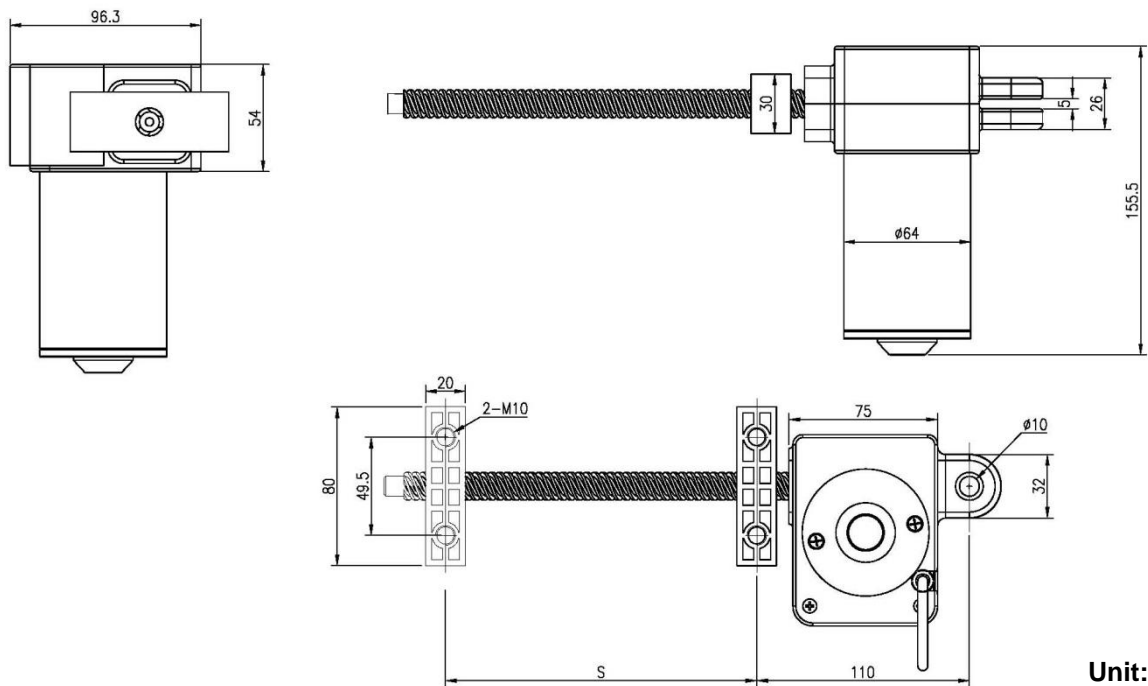
Speed vs. Load



Current vs. Load



Dimensions



Unit: mm

◆ **Front Connector**
C2x Plastic nut

◆ **Rear Connector**
Cx1 Plastic

◆ **Available stroke (S) range = 100~1600mm**

Model No.	Max. stroke (mm)	Model No.	Max. stroke (mm)
BDN60-XX-F3- XXX.XXX	300	BDN60-XX-A8- XXX.XXX	800
BDN60-XX-A4- XXX.XXX	400	BDN60-XX-F8- XXX.XXX	800
BDN60-XX-F4- XXX.XXX	400	BDN60-XX-AG- XXX.XXX	1600
BDN60-XX-A6- XXX.XXX	600	BDN60-XX-KG- XXX.XXX	1600
BDN60-XX-F6- XXX.XXX	600		

◆ **Retracted length (A) = 110mm Min.**

◆ **Extended length (B) = A + S**

Ordering Key

BDN60—□□—□□—□□□.□□□—C□□—□□□

Input Voltage

24 : 24V DC

12 : 12V DC

Motor and Spindle Type

F3, A4, F4, A6, F6, A8, F8, AG, KG

(Refer to Performance Data)

Retracted Length

(Refer to paragraph Dimensions)

Extended Length

(Refer to paragraph Dimensions)

Front Connector

2 : Plastic

Rear Connector

1 : Plastic

Options

HS1 : Single Hall effect sensor

HS2 : Dual Hall effect sensor

Terms of Use

The user is responsible for determining the suitability of MOTECK products for specific applications. Due to continuous development in order to improve its products, MOTECK products are subject to frequent modifications and changes without prior notice. MOTECK reserves the right to discontinue the sale of any products displayed on its website or listed in its catalogue or other written materials drawn up by MOTECK.