

Control Box

CB2P



Features

- ◆ CB2P is specially designed for medical and home care applications. With its compact design, it can be attached to actuator MD60 or MD66 as an integrated set.
- ◆ Main applications : homecare, medical
- ◆ Input voltage : 230V AC 50Hz / 110V AC 60Hz
- ◆ Output voltage : 24V DC / 12V DC
- ◆ Max. current : 3A / 6A @ 24V / 12V DC
- ◆ Overload protection current : 3.0~4.0A (each actuator independently)
- ◆ Max. number of actuators this control box can drive : 2
- ◆ Duty cycle : 10% or 2 min continuous operation in 20 min.
- ◆ IP protection level : IP65
- ◆ Protection class : Class II
- ◆ Color : Light Gray (RAL7035)
- ◆ Certified : EN 60601-1 、 EN 60601-1-2
- ◆ Backup Batteries 9V DC x 2
- ◆ Cable type : power cord
- ◆ Cable length : 3000mm

Options

◆ C Clip: To fix CB2P onto MD60 or MD66 actuators.

Compatibility

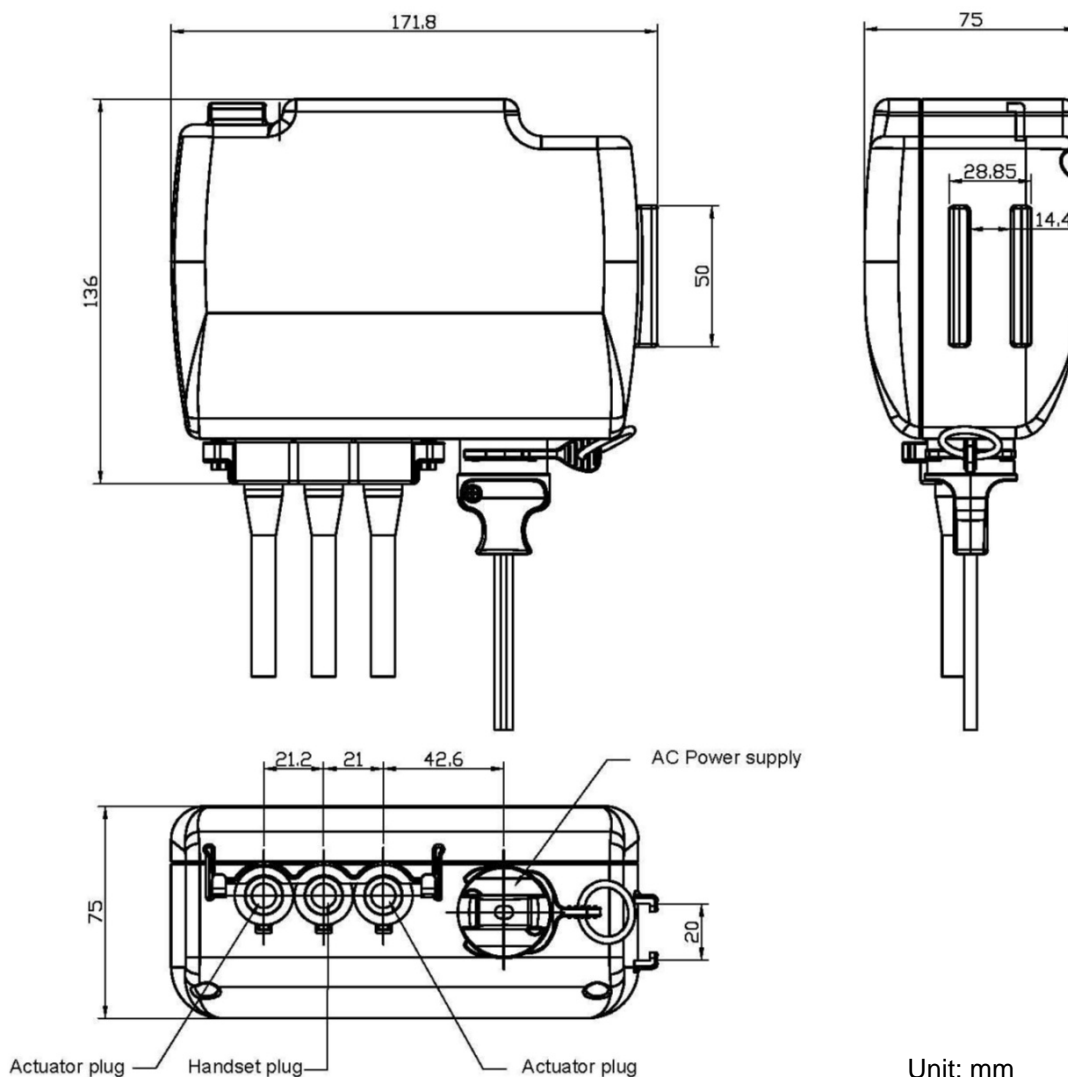
1. Handset

HF、HK、HT

2. Actuator

MD60、MD66、MD7

Dimension



Ordering Key

