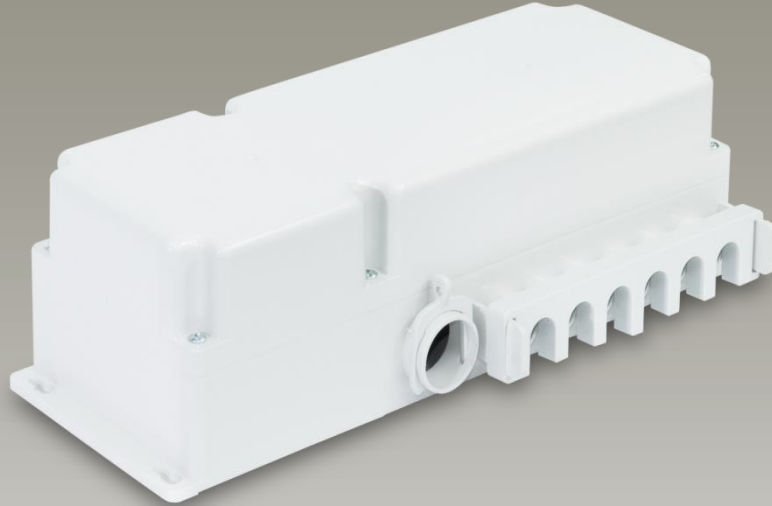


Control Box

CB4P



Features

- ◆ CB4P control box is mainly designed for the medical care applications, such as hospital bed and nursing bed. With the optional High Power and Synchronization functions, there are four versions in this series as CB4P, CB4P-SY, CB4P-HP, and CB4P-HP-SY.
- ◆ Main applications : medical, home care, furniture
- ◆ Input voltage : 110V AC 60Hz, 230V AC 50Hz
- ◆ Output voltage : 24V DC
- ◆ Max. current : 3A @ 24V (CB4P)
4.5A @ 24V (CB4P-SY)
7.5A or 9A @ 24V (CB4P-HP, CB4P-HP-SY)
- ◆ Max. number of actuators this control box can drive : 4
- ◆ Duty cycle : 10% or 2 min continuous operation in 20 min.
- ◆ IP Protection level : IPX4
- ◆ Protection class : Class I
- ◆ Color : RAL7035
- ◆ Certified : CE marking, Medical Device Directive 93/42/EEC (for CB4P only)
- ◆ Cable length : 3000mm

Options

- ◆ Charger Function Includes Battery 12V DC 1.3AH x 2
- ◆ Synchronization Version (CB4P-SY)
- ◆ High Power Version (CB4P-HP)
- ◆ High Power & Synchronization Version (CB4P-HP-SY)

Compatibility

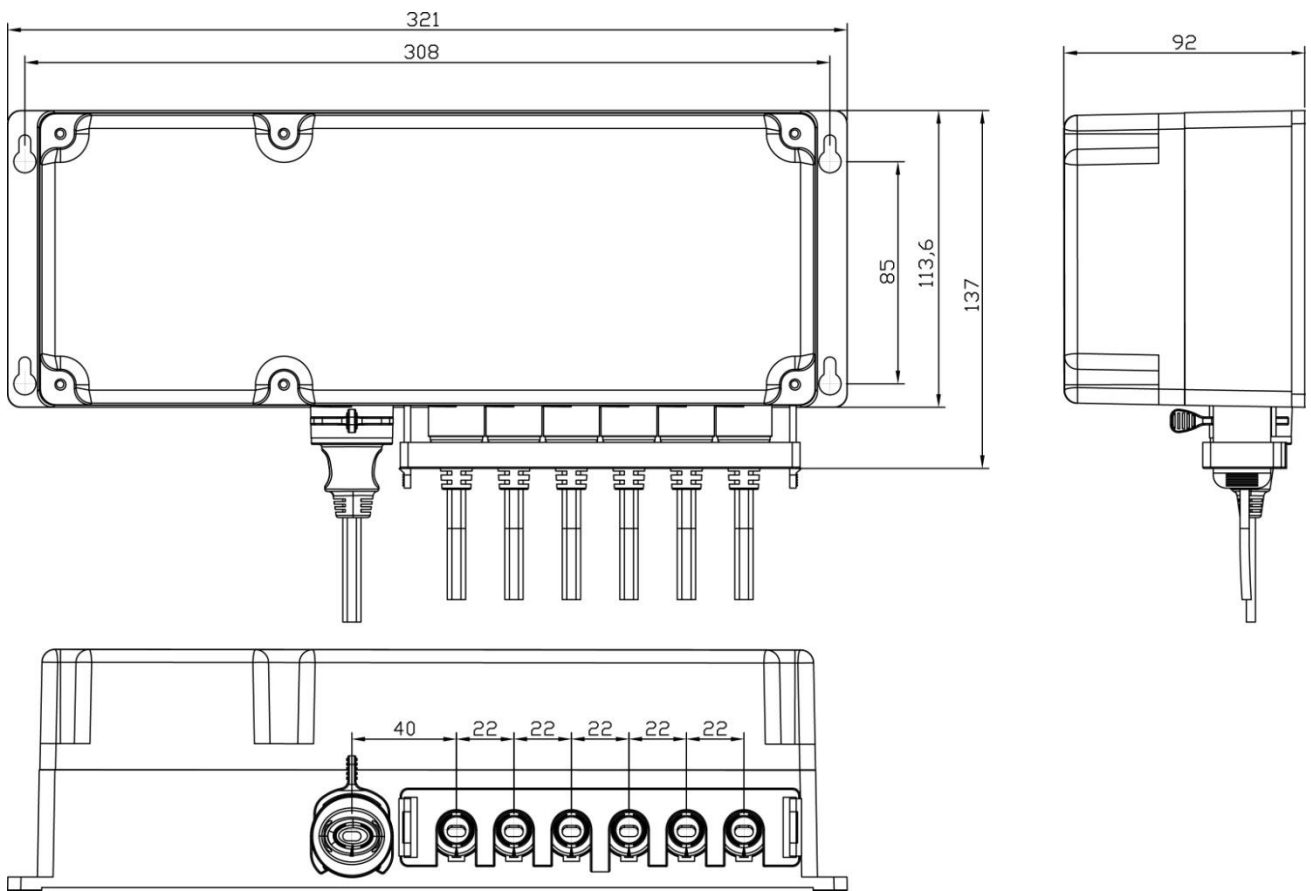
1. Handset

- (1) CB4P : HC, HT (Moteck P1 Communication Type)
- (2) CB4P-SY : HC-2 (Moteck S1 Communication Type)
- (3) CB4P-HP : HT, FS2 Foot Switch (Moteck P1 Communication Type)
- (4) CB4P-HP-SY : HD-6 (Moteck P3 Communication Type)

2. Actuator

Type	Actuator port	Compatible actuators	Max. current	Connector
CB4P	M1, M2, M3, M4	MD66 MD7	3A (for each)	DIN Plug 4 Pin
CB4P-SY	M1, M2 (M1+M2 Synchronous)	MD60	4.5A (for each)	DIN Plug 6 Pin
CB4P-HP	M1 (high power)	MD80	7.5A	φ6.3 Phone Jack
		MD100	9A	
CB4P-HP	M2, M3, M4	MD66	3A (for each)	DIN Plug 4 Pin
		MD7		
CB4P-HP-SY	M1 (high power)	MD80	7.5A	φ6.3 Phone Jack
		MD100	9A	
	M2	MD66	3A	DIN Plug 4 Pin
		MD7		
	M3, M4 (M3+M4 Synchronous)	MD66	3A (for each)	DIN Plug 4 Pin
MD7				

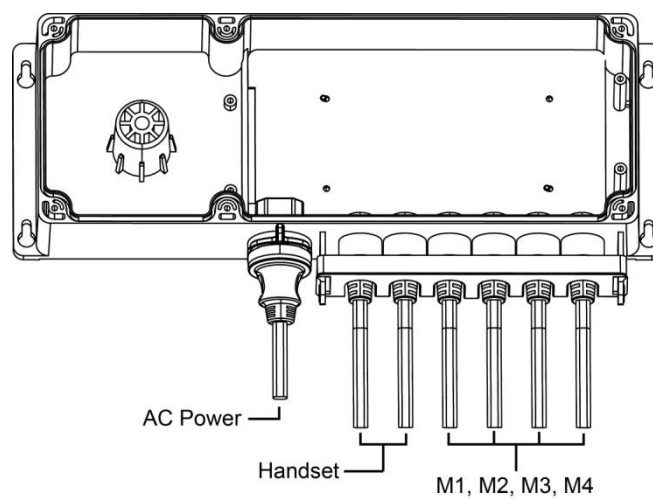
Dimensions



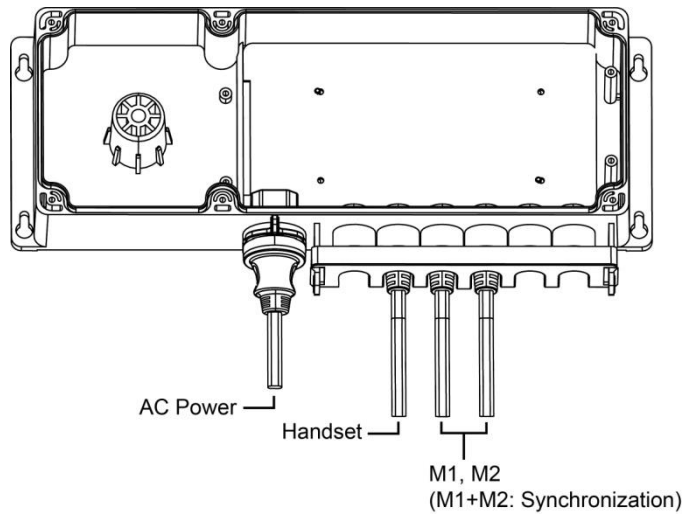
Unit: mm

I/O Port

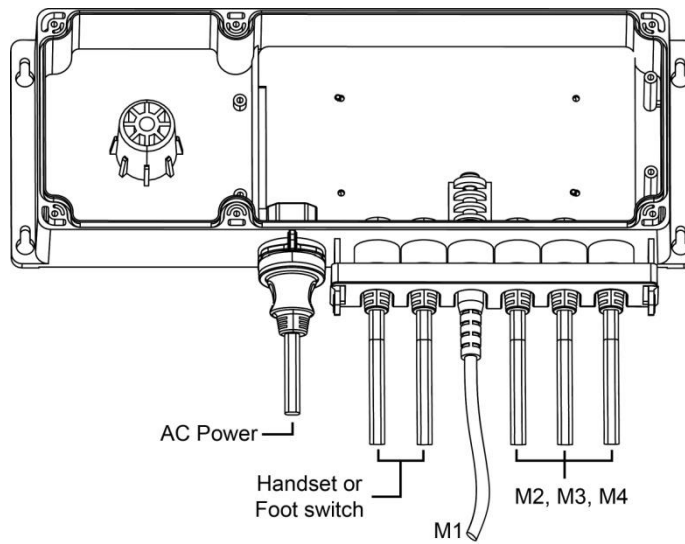
- CB4P (standard)



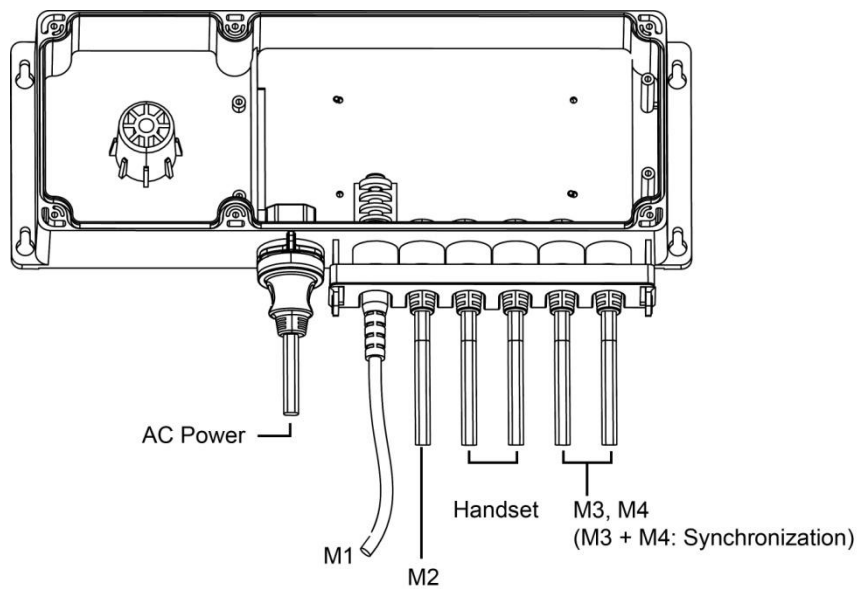
● **CB4P-SY**



● **CB4P-HP**



● **CB4P-HP-SY**



Ordering Key

CB4P (standard)

CB4P—□□□—24—□—□—CG—□□

Input Voltage

110 : 110V AC
230 : 230V AC

Output Voltage

24 : 24V DC

Number of Handsets

1 : for 1 handset
2 : for 2 handsets

Number of Motors

3 : for 3 actuators
4 : for 4 actuators

Charger Function

Options

(Blank) : Without Battery
BA : With Battery

CB4P-SY (synchronous)

CB4P—□□□—24—1—2—SY—CG—□□

Input Voltage

110 : 110V AC

230 : 230V AC

Output Voltage

24 : 24V DC

Number of Handsets

1 : for 1 handset

Number of Motors

2 : for 2 actuators

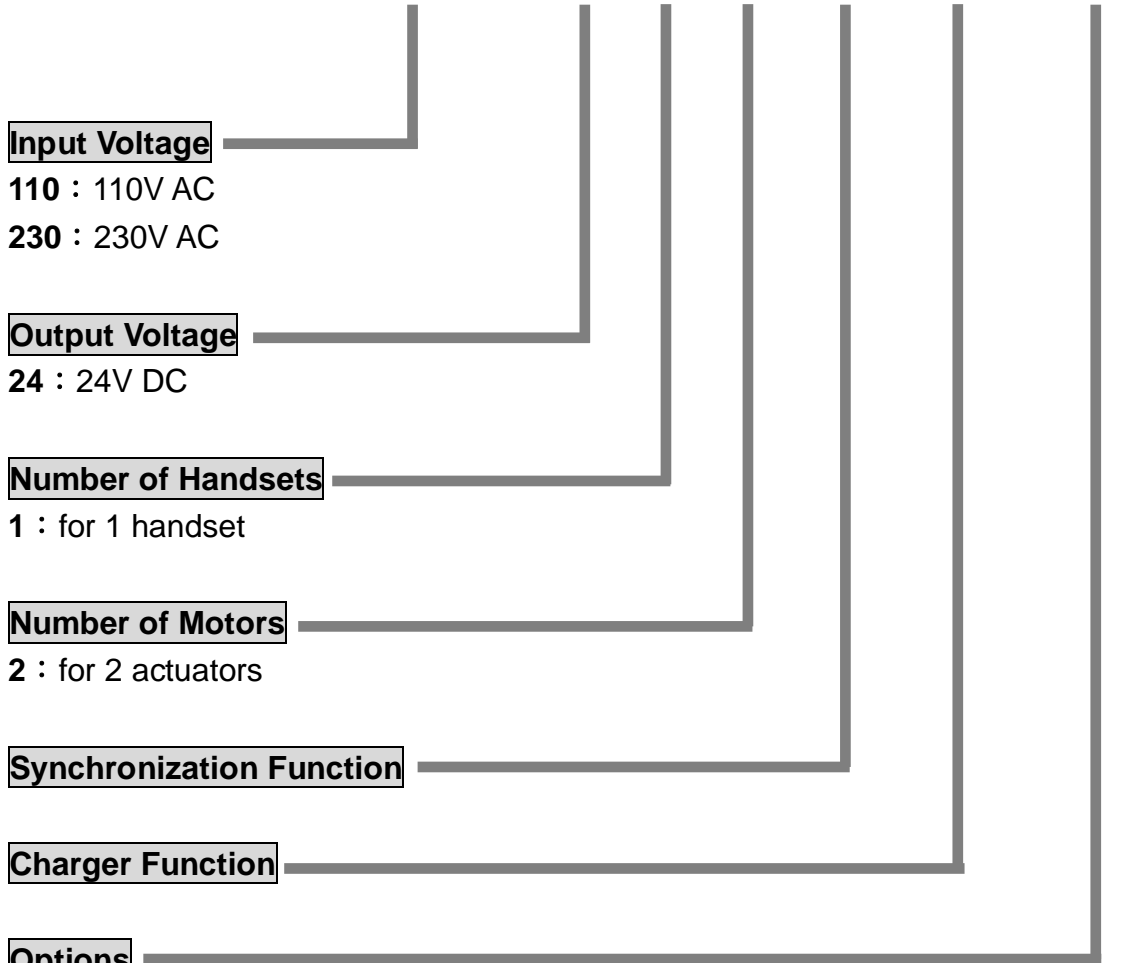
Synchronization Function

Charger Function

Options

(Blank) : Without Battery

BA : With Battery



CB4P-HP (high power)

CB4P—□□□—24—□—□—HP—CG—□□

Input Voltage

110 : 110V AC

230 : 230V AC

Output Voltage

24 : 24V DC

Number of Handsets

1 : for 1 handset

2 : for 2 handsets

Number of Motors

3 : for 3 actuators

4 : for 4 actuators

High Power Type

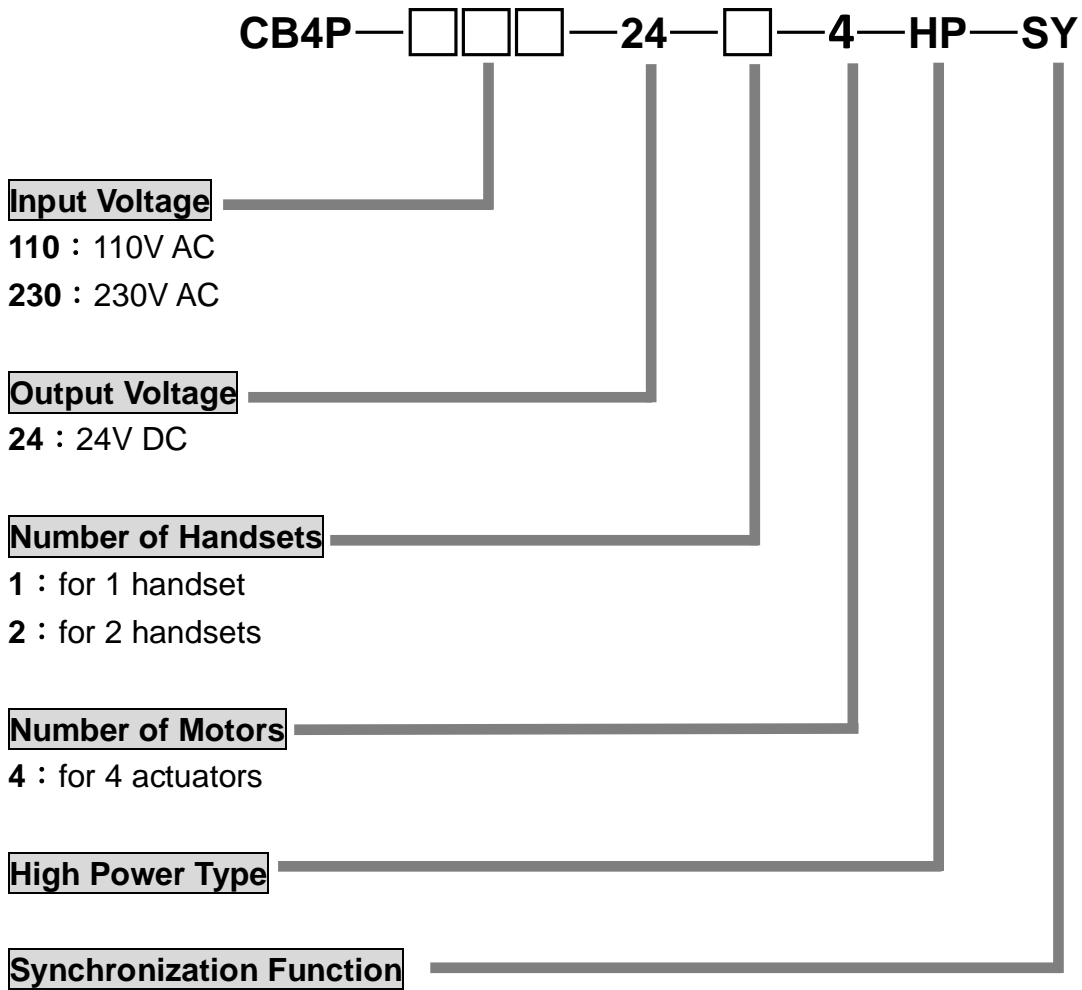
Charger Function

Options

(Blank) : Without Battery

BA : With Battery

CB4P-HP-SY (high power & synchronous)



Terms of Use

The user is responsible for determining the suitability of MOTECK products for specific applications. Due to continuous development in order to improve its products, MOTECK products are subject to frequent modifications and changes without prior notice. MOTECK reserves the right to discontinue the sale of any products displayed on its website or listed in its catalogue or other written materials drawn up by MOTECK.