

Control Box

CBT2



Features

- ◆ CBT2 is a compact control box typically applies to homecare and furniture, such as adjustable home living bed, nursing bed, and other furniture applications. CBT2 features its detachable power cord design, and it can be easily mounted onto FD60 actuator or other flat surface with a mounting plate.
- ◆ Main applications : home care, furniture
- ◆ Input voltage : 230V AC, 50Hz / 120V AC, 60Hz (Internal Linear Transformer)
or 100~240V AC, 50/60Hz (Internal Switching Mode Power Supply)
- ◆ Output voltage : 24V DC
- ◆ Overload protection current : 3A (each actuator independently)
- ◆ Max. number of actuators this control box can drive : 3
- ◆ Max. number of handsets : 1
- ◆ Duty cycle : 10% or 2 min continuous operation in 20 min.
- ◆ IP Protection level : IP20
- ◆ Protection class : Class I or Class II
- ◆ Color : Black, RAL7001
- ◆ Certified : EN55014-1, EN55014-2, EN60335-1, EN62233
- ◆ Cable length : 2000mm / 3000mm
- ◆ Detachable power cord design

Options

- ◆ Mounting plate
- ◆ 2-pin / 3-pin detachable AC power cord
- ◆ Internal Switching Mode Power Supply (SMPS)

Compatibility

1. Handset

(1) Wired :

HA, HC, HD, HE, HF, HI, HJ, HK, HM, H2D, H2J, H2M, H2N, H3F, H3N, H3NT

(2) Wireless :

TXH, TXT

(DIN plug with Moteck F type housing)

2. Actuator

FD20, FD50, FD60, GD70, BD60,
BDF60, BDN60, LD2, LD3, LD10, LD20

(DIN plug with Moteck F type housing)



Moteck F type plug housing

3. Accessory

(1) TXA RF 2.4G receiver

(2) TBA Bluetooth receiver



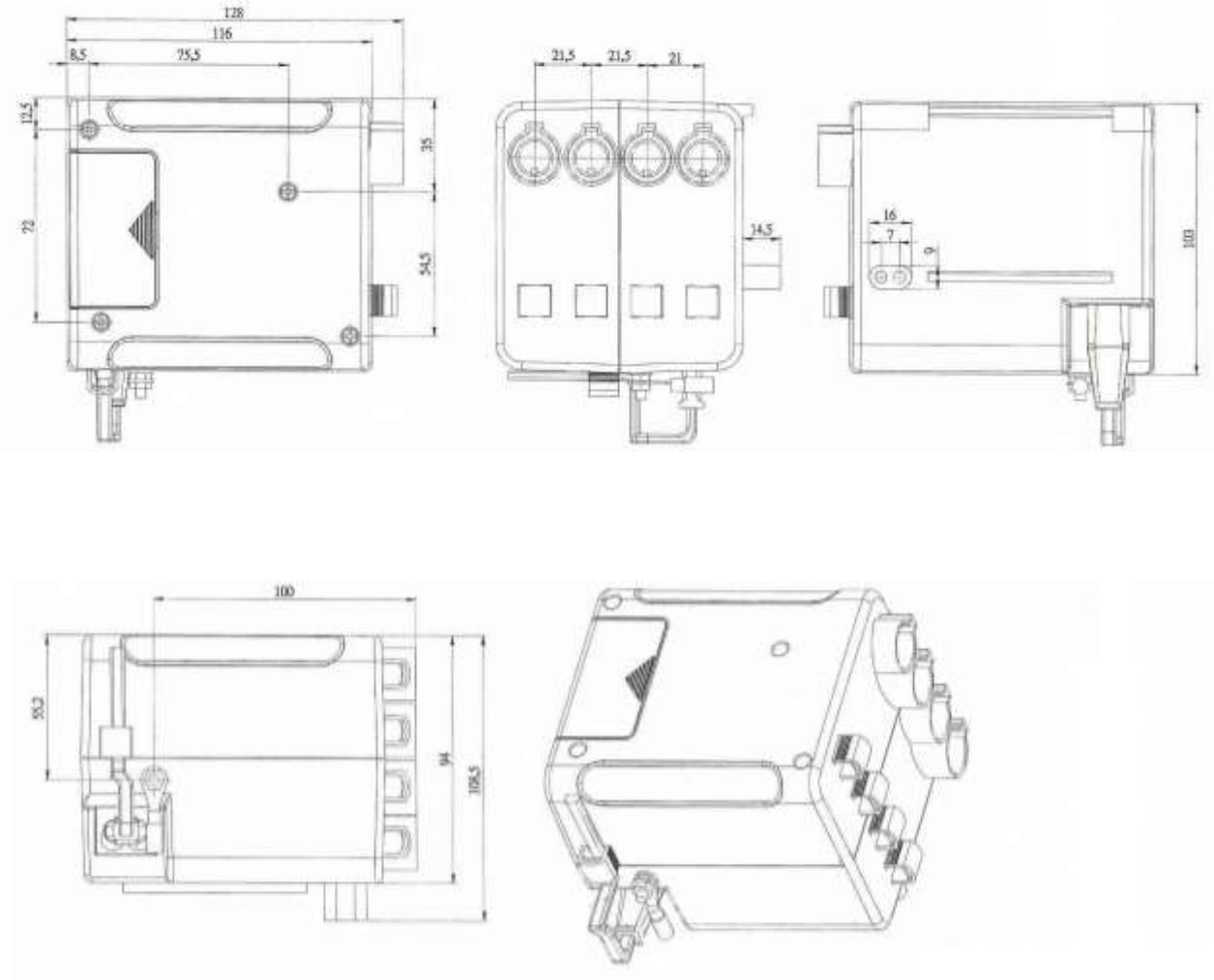
TXA receiver



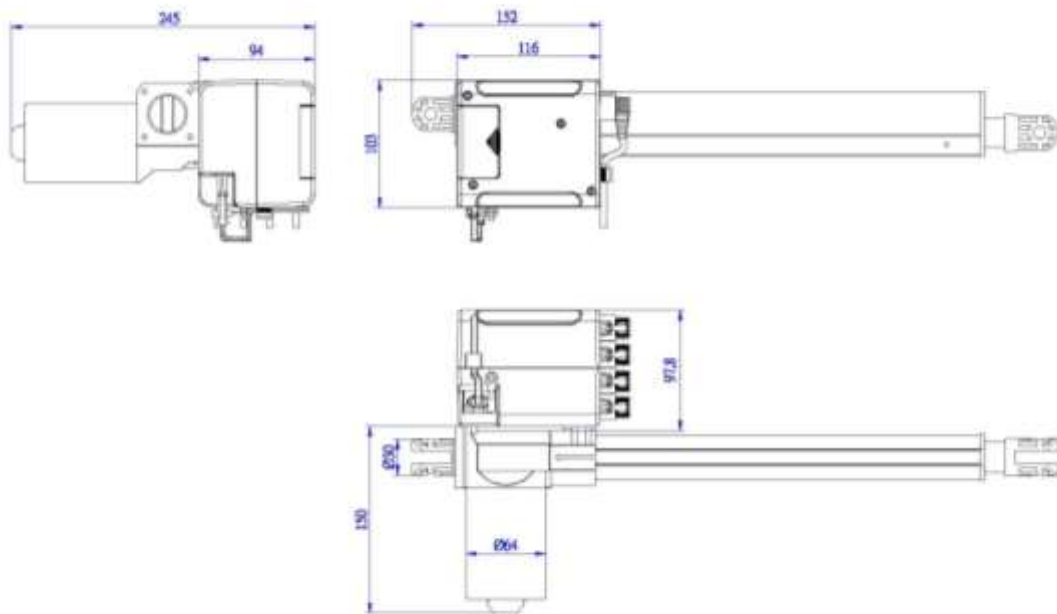
TBA receiver

Dimension

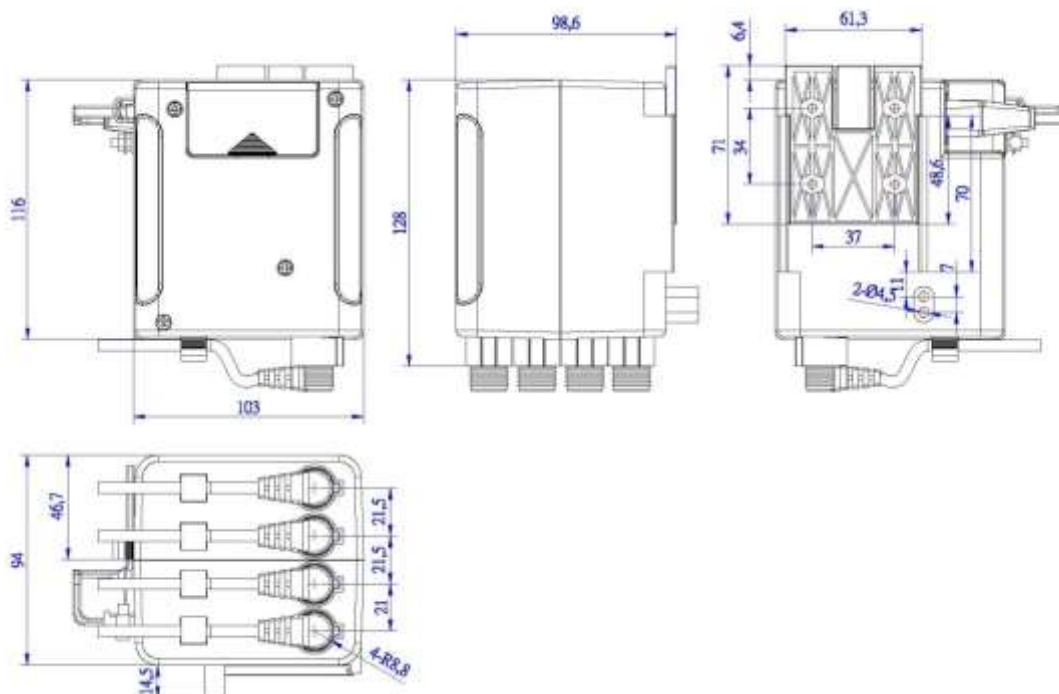
1. Standard



2. Mounted onto FD60 actuator



3. Fixed with mounting plate



Unit: mm

Ordering Key

CBT2—□□□—24—□—□□0—□□

Input

100 : 100V AC
 120 : 120V AC
 230 : 230V AC
 IS2 : 100~240V AC (Internal SMPS)

Output

24 : 24V DC

Number of Motors

1 : 1 Actuator
 2 : 2 Actuators
 3 : 3 Actuators

Options

0 : None
 1 : Mounting plate

Color

B : Black
 1 : RAL7001

Reserved

Inlet power socket type

2 : Inlet 2-pin power socket (IEC 60320 C8 type)
 3 : Inlet 3-pin power socket (IEC 60320 C6 type)

Cable Length

2 : 2000mm, straight (Default)
 3 : 3000mm, straight
 0 : None

Warnings :“If the supply cord is damaged, it must be replaced by a special cord or assembly available from the manufacturer or its service agent.”

Terms of Use

The user is responsible for determining the suitability of MOTECK products for specific applications. Due to continuous development in order to improve its products, MOTECK products are subject to frequent modifications and changes without prior notice. MOTECK reserves the right to discontinue the sale of any products displayed on its website or listed in its catalogue or other written materials drawn up by MOTECK.