

Control Box

CIS2



Features

- ◆ CIS2 is designed for use of industrial application. It can drive 2 actuators synchronously and work with signal of reed sensor or Hall Effect sensor.
- ◆ Main applications : industrial automation
- ◆ Input voltage : 12V DC
- ◆ Output voltage : 12V DC
- ◆ Max. current : 10A @ 12V
- ◆ Overload protection current : 12A (each actuator independently)
- ◆ Max. number of actuators this control box can drive : 2
- ◆ Duty cycle : 10% or 2 min continuous operation in 20 min.
- ◆ Color : Pantone 431C
- ◆ Memory function.
- ◆ Battery charging function (AC input or Solar input).
- ◆ 2 actuators can move synchronously or independently by setting with jumper.

Options

- ◆ Battery charger

Compatibility

1. Handset

HM6R, XM4H

2. Actuator

ID10

3. Accessory

Battery pack (12V10Ah)

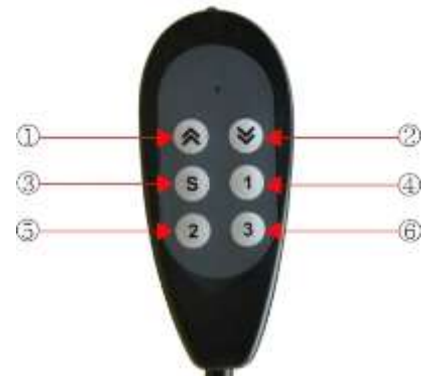


Dimension: 195x150x115mm

Operational Function

HM6R handset function definition:

- ①. Extend 2 actuators synchronously.
- ②. Retract 2 actuators synchronously.
- ③. Press button S for 2 seconds until LED indicator flashes slowly, then press button 1, 2 or 3 to store the positions. The LED will flash quickly to confirm the positions have been stored.
- ④. Drive both actuators toward stored position1.
- ⑤. Drive both actuators toward stored position2.
- ⑥. Drive both actuators toward stored position3.



Standard HM6R handset PIN definition:

- | | |
|-----------------------|-----------------------|
| 1 = Actuator extends | 5 = Memory position 2 |
| 2 = Actuator retracts | 6 = Memory position 3 |
| 3 = Store function | 7 = VCC |
| 4 = Memory position 1 | |



XM4H remote handset function definition:

When CN1 opened by Jumper → Actuators move synchronously

- A : 2 actuators extend synchronously
- B : 2 actuators retract synchronously
- C : (Same as button A)
- D : (Same as button B)

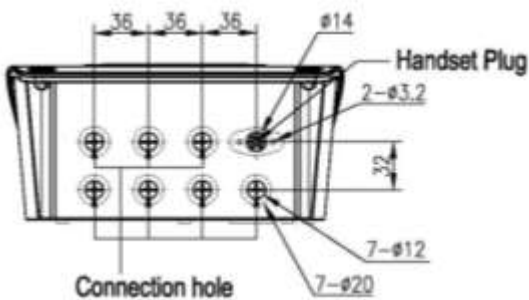
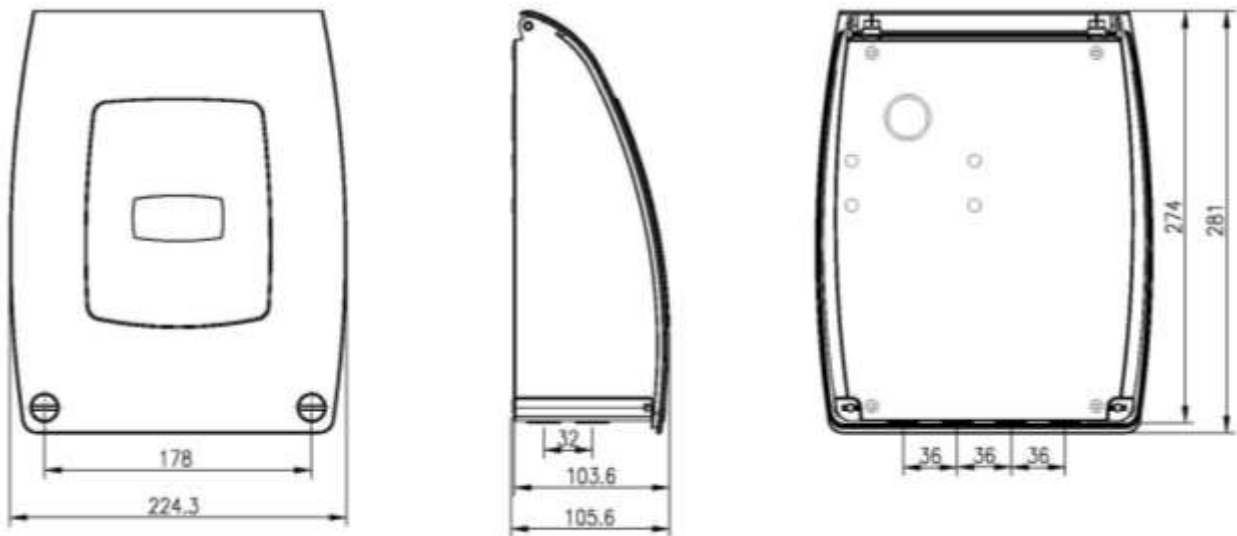


When CN1 closed by Jumper → Actuators move independently

- A : M1 actuator extends
- B : M1 actuator retracts
- C : M2 actuator extends
- D : M2 actuator retracts

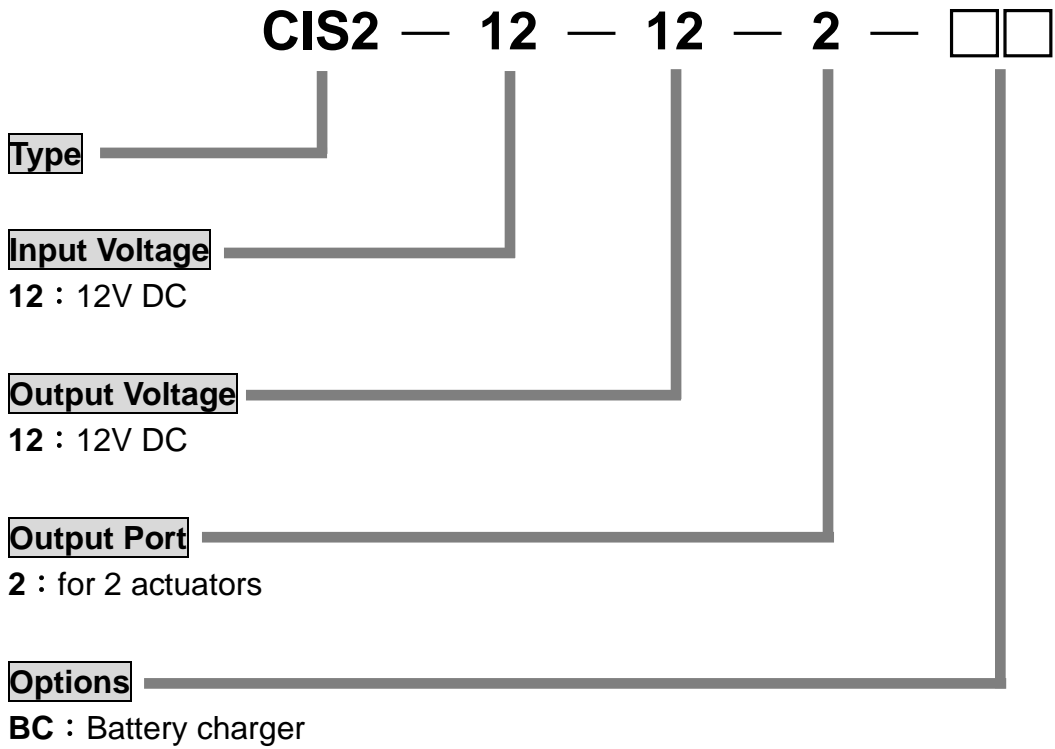


Dimension



Unit: mm

Ordering Key



Terms of Use

The user is responsible for determining the suitability of MOTECK products for specific applications. Due to continuous development in order to improve its products, MOTECK products are subject to frequent modifications and changes without prior notice. MOTECK reserves the right to discontinue the sale of any products displayed on its website or listed in its catalogue or other written materials drawn up by MOTECK.