

Control Box

CS1

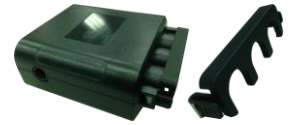


Features

- ◆ CS1 is a compact control box with external SMPS and is compatible with wide range of Motek handsets and actuators.
- ◆ Main applications: furniture, homecare, industrial
- ◆ Input voltage : 29V DC (external power supply)
- ◆ Output voltage : 29V DC
- ◆ Max. current : 3A
- ◆ Overload protection current : 3A-Nominal (PTC in CS1) / $6\pm 1A$ in SMPS
- ◆ Max. number of actuators this control box can drive : 2
- ◆ Duty cycle : 10% or 2 min continuous operation in 20 min.
- ◆ IP protection level : IP42
- ◆ Color : Black
- ◆ Certified : EN 55014-1
EN55014-2
IEC 61000-4-2
- ◆ Can be installed on mounting plate
- ◆ Removable DC power wire with DIN 41529 plug at both ends, 1m in length.

Options

- ◆ Anti-pull accessory (for H type 180° DIN plug)
- ◆ Assembly with mounting plate
- ◆ TSW2 power supply with emergency lowering function by 2x9V battery



Anti-pull accessory

Compatibility

1. Handset

HA, HC, HD, HF, HI, HJ, HK, HM, H3NT, TXH3+TXA4

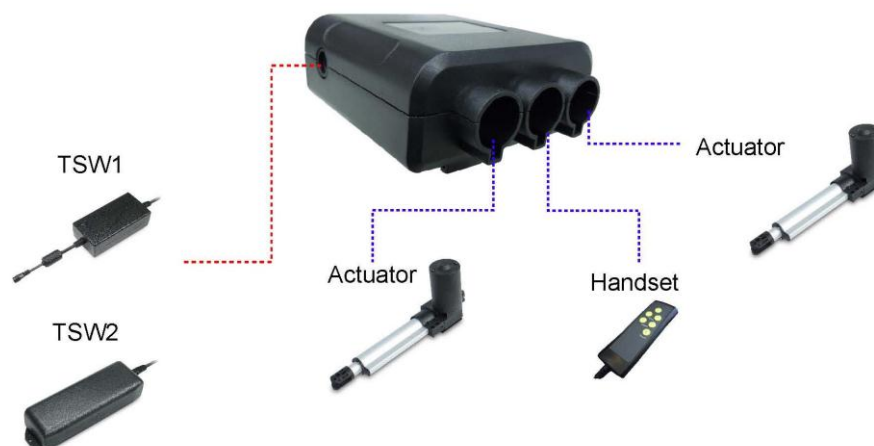
2. Actuator

FD20, FD60, PD62, PD63, LD3, BD60, BDN60, BDF60, GD70,

3. Power supply-SMPS

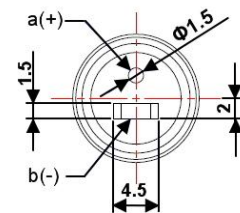
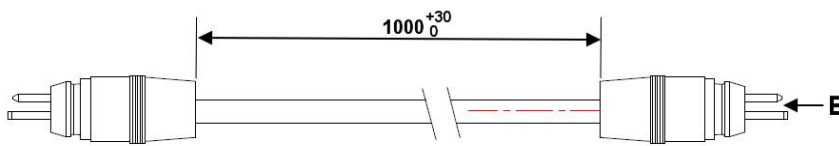
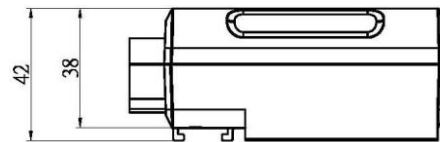
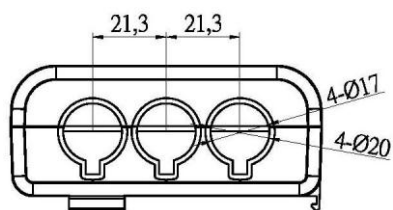
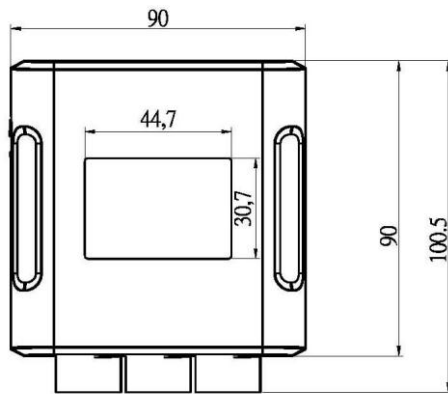
TSW1, TSW2

Control System Diagram

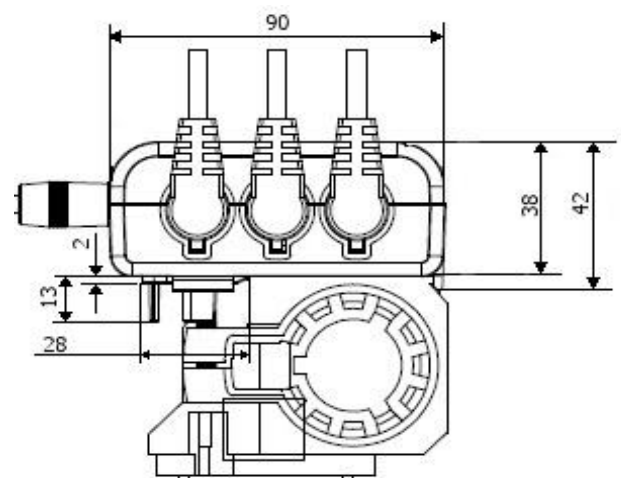
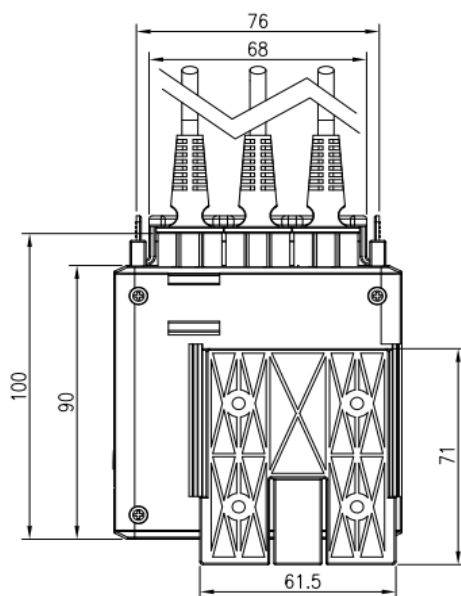


Dimension

Unit: mm



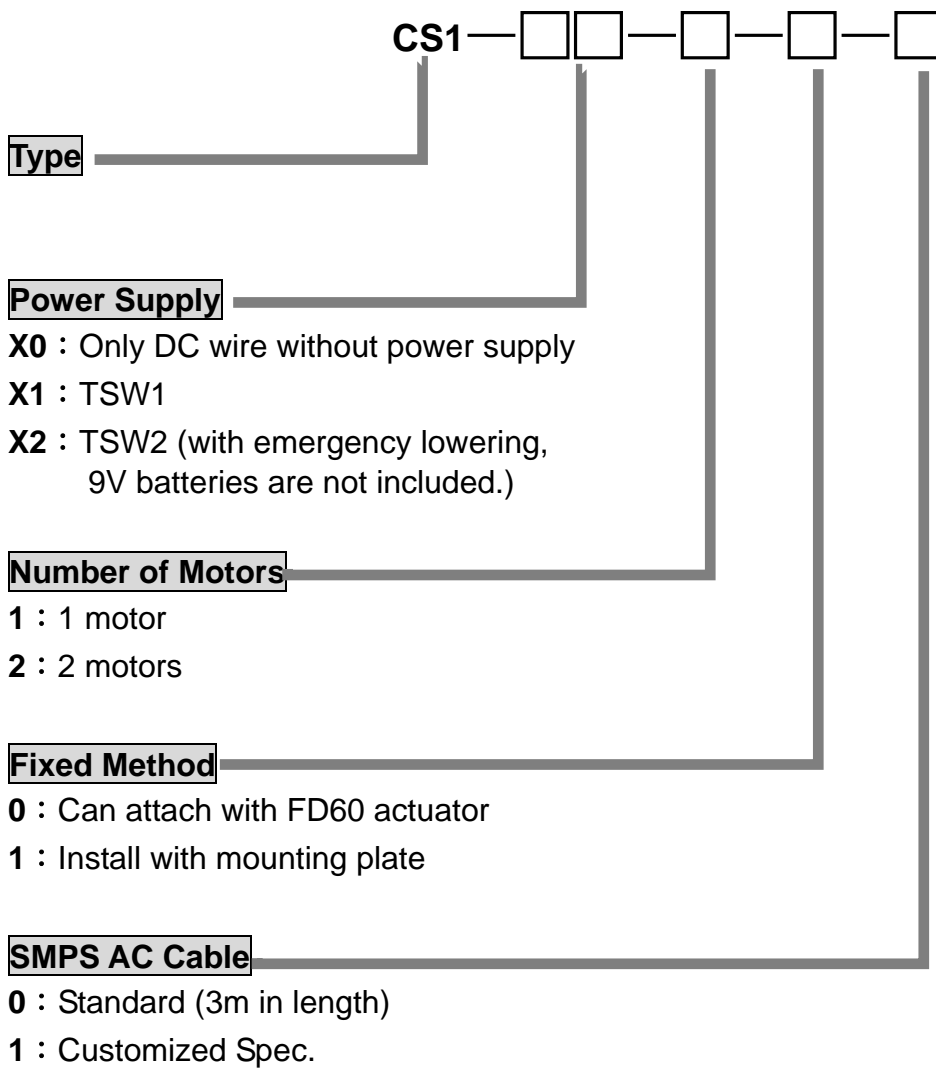
Removable power wire with DIN 41529 plug



Assembly with mounting plate

Assembly with FD60 actuator

Ordering Key



Terms of Use

The user is responsible for determining the suitability of MOTECK products for specific applications. Due to continuous development in order to improve its products, MOTECK products are subject to frequent modifications and changes without prior notice. MOTECK reserves the right to discontinue the sale of any products displayed on its website or listed in its catalogue or other written materials drawn up by MOTECK.