

Actuator

FD60



Features

- ◆ FD60 is a quiet and powerful actuator designed for use in furniture application. Our T control box, which can be perfectly attached and integrated to FD60, is available for customers to choose.
- ◆ Main applications : Furniture
- ◆ Input voltage : 24V DC / 12V DC
- ◆ Max. load : 6000N (push) / 4000N (pull)
- ◆ Max. current : 6A @ 12V DC, 3A @ 24V DC
- ◆ Max. speed at no load : 33.3 mm/sec
- ◆ Max. speed at full load : 2.9 mm/sec @ 6000N
- ◆ Stroke : 50 ~ 300 mm
- ◆ Duty cycle : 10% or 2 min continuous operation in 20 min.
- ◆ Ambient operation temperature : -20°C ~ +65°C
- ◆ IP Protection level : IP42
- ◆ Color : Black
- ◆ Certified : EN55014-1
- ◆ Noise Level : \leq 50dB
- ◆ Preset limit switches

Options

- ◆ Positioning signal feedback with Hall effect sensor x 1
- ◆ Positioning signal feedback with Hall effect sensor x 2
- ◆ Push only
- ◆ Safety nut
- ◆ Turn 90° Pivot orientation of rear connector

Compatibility

1. Control box

With positioning feedback	CB3T, CB4M
Without positioning feedback	T control, CS1, TR11, TL01, CB3T, CB4M CBT2, CS2

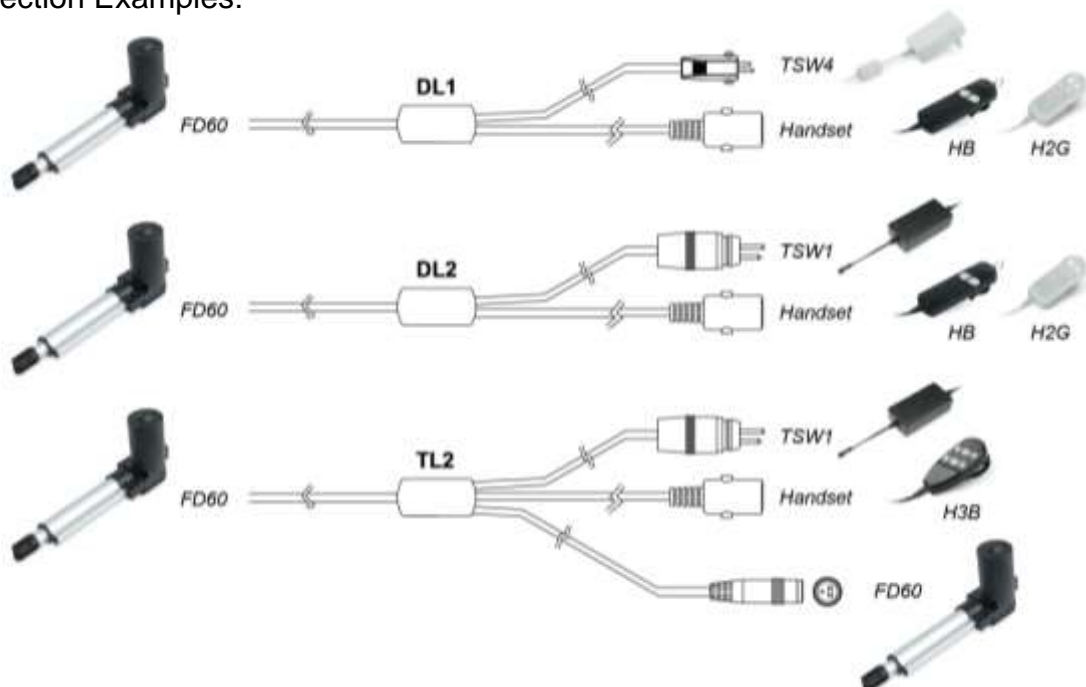
2. Handset

- (1) Depend on control box
- (2) HB, H3B, H2G (with special FD60 cable to connect to power supply and handset, without control box)

3. Accessory

- (1) T Connector
- (2) TSW1 switching mode power supply (with special FD60 cable, DL2 or TL2, without control box)
- (3) TSW4 switching mode power supply (with special FD60 cable, DL1, without control box)

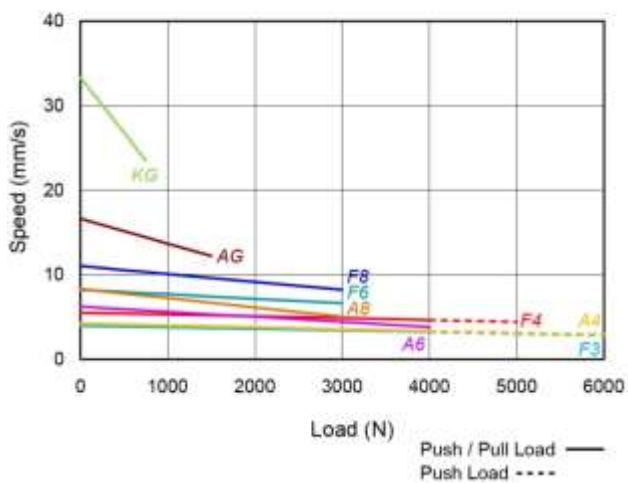
Connection Examples:



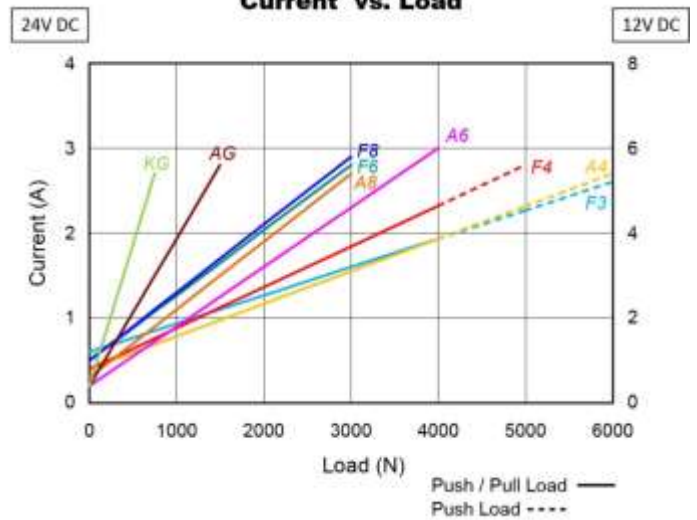
Performance Data

Model No.	Push Max. (N)	Pull Max. (N)	Speed (mm/s)		Current (A)			
			No load	Full load	No load		Full load	
					12V	24V	12V	24V
FD60-XX-F3- XXX.XXX	6000	4000	4.1	2.8	1.2	0.6	5.2	2.6
FD60-XX-A4- XXX.XXX	6000	4000	4.2	2.9	0.8	0.4	5.4	2.7
FD60-XX-F4- XXX.XXX	5000	4000	5.5	4.4	0.8	0.4	5.6	2.8
FD60-XX-A6- XXX.XXX	4000	4000	6.2	3.8	0.4	0.2	6.0	3.0
FD60-XX-F6- XXX.XXX	3000	3000	8.2	6.6	1.0	0.5	5.6	2.8
FD60-XX-A8- XXX.XXX	3000	3000	8.3	5.0	0.6	0.3	5.4	2.7
FD60-XX-F8- XXX.XXX	3000	3000	11.0	8.2	1.0	0.5	5.8	2.9
FD60-XX-AG- XXX.XXX	1500	1500	16.6	12.2	0.4	0.2	5.6	2.8
FD60-XX-KG- XXX.XXX	750	750	33.3	23.5	0.4	0.2	5.2	2.6

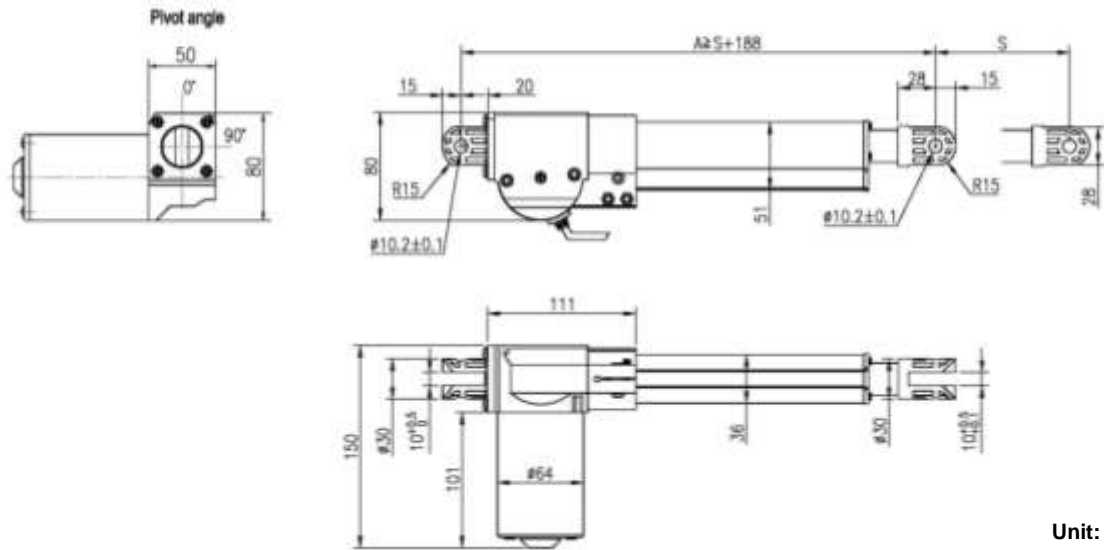
Speed vs. Load



Current vs. Load



Dimensions



Unit: mm

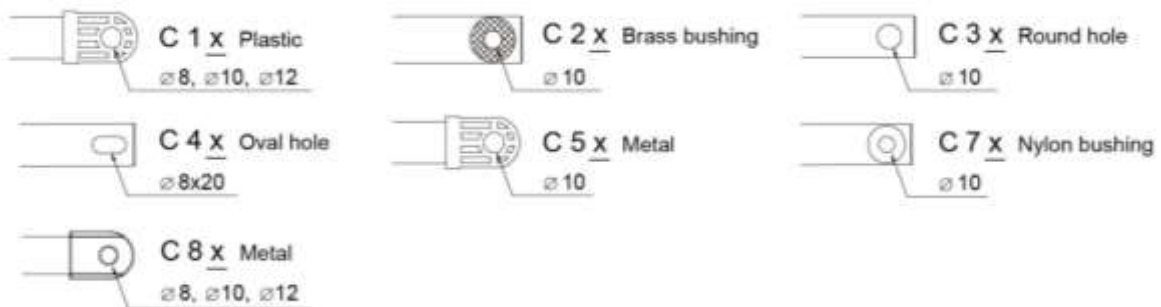
◆ Available stroke (S) range = 50~300mm

◆ Retracted length (A)

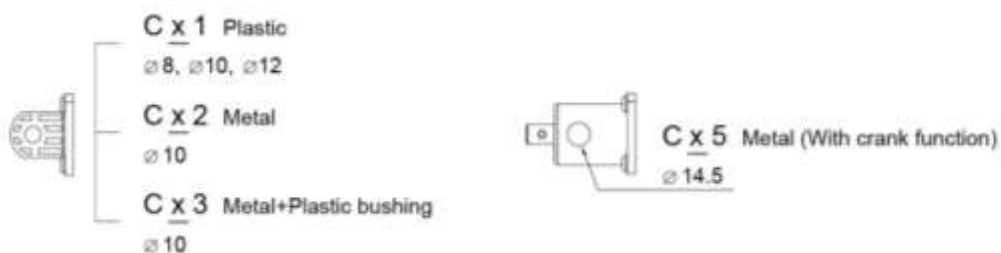
Rear connector \ Front connector	Cx1, Cx2, Cx3	Cx5 (with crank function)
C1x, C5x, C8x	$A \geq S + 188\text{mm}$	$A \geq S + 198\text{mm}$
C2x, C3x, C4x, C7x	$A \geq S + 160\text{mm}$	$A \geq S + 170\text{mm}$

◆ Extended length = S + A

◆ Front Connectors



◆ Rear Connectors



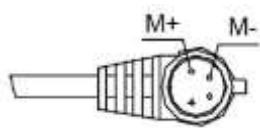
Cable Plug

◆ DIN plug with Moteck F type shape

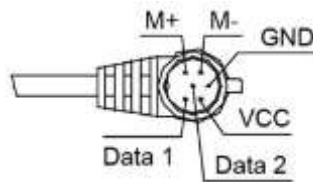


◆ Pin Assignment

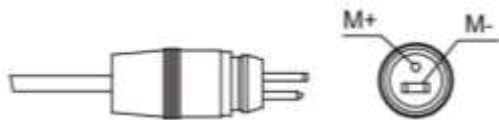
When M+ is connected to "+" and M- is connected to "-" of DC power, the actuator will extend



* No sensor feedback



** 1x or 2x Hall sensors for positioning



*** Connector used on the second actuator connected to TL2 cable.

Ordering Key

FD60—□□—□□—□□□.□□□—C□□—□□□

Input Voltage

24 : 24V DC

12 : 12V DC

Motor and Spindle Type

F3、A4、F4、A6、F6、A8、F8、AG、KG

(Refer to Performance Data)

Retracted Length

(Refer to paragraph Dimensions)

Extended Length

(Refer to paragraph Dimensions)

Front Connector

1 : Plastic

2 : Brass bushing

3 : Round hole

4 : Oval hole

5 : Metal

7 : Nylon bushing

8 : Metal

Rear Connector

1 : Plastic

2 : Metal

3 : Metal with plastic bushing

5 : Metal with crank function

Options

HS3 : Hall effect sensor x 1

HS4 : Hall effect sensor x 2

PO : Push only

SN : Safety nut

Terms of Use

The user is responsible for determining the suitability of MOTECK products for specific applications. Due to continuous development in order to improve its products, MOTECK products are subject to frequent modifications and changes without prior notice. MOTECK reserves the right to discontinue the sale of any products displayed on its website or listed in its catalogue or other written materials drawn up by MOTECK.