

Handset H2D



Features

- ◆ H2D is mainly designed for medical and homecare applications. It is compatible to many Moteck control boxes. There is optional 2-level nurse lock function for more security.
- ◆ Main applications : medical, home care
- ◆ Max. number of motors this handset can drive : 4
- ◆ Available number of buttons : 6, 8, 10 or 12
- ◆ IP protection level : IPX4
- ◆ Button material : ABS
- ◆ Color : RAL 7035
- ◆ LED indicator
- ◆ Handset with hook for easy placement
- ◆ Cable type and length : total 880mm long with 420mm spiral cable

Options



- ◆ 2-level nurse lock
- ◆ Hook (50mmgap) / Hook (30mm gap)
- ◆ Customized front panel

Compatibility

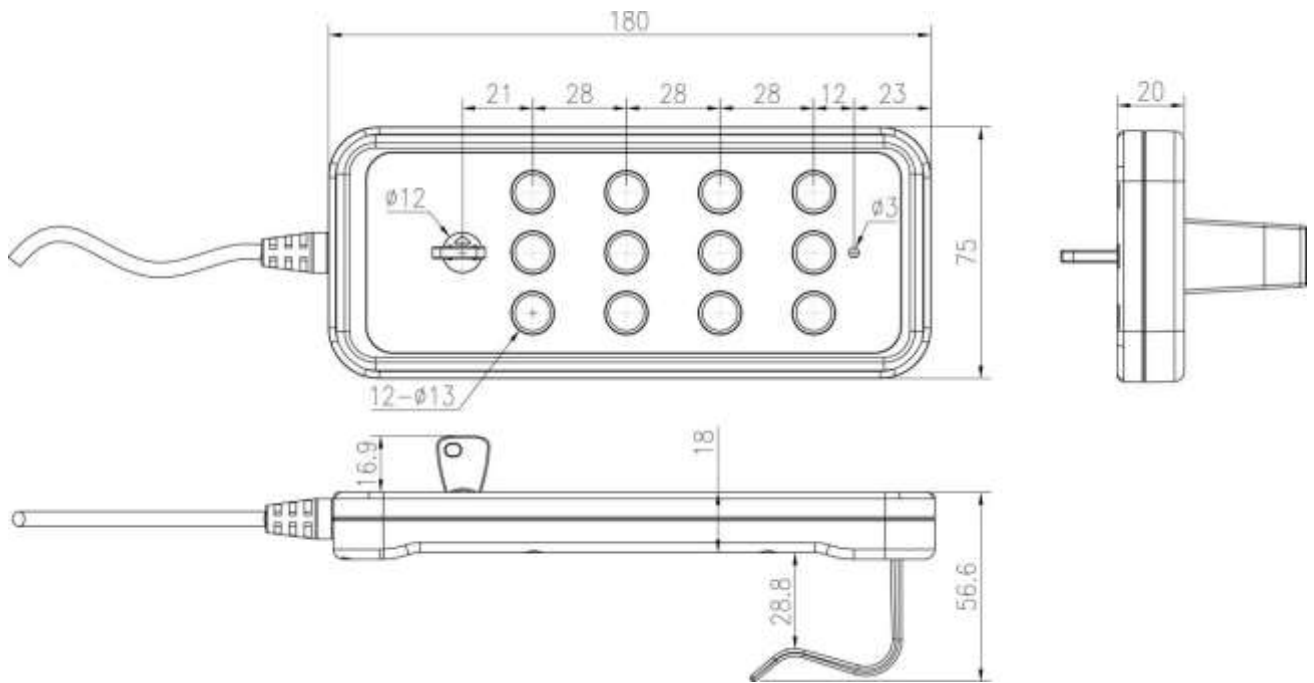
1. Control box

Moteck P1 Communication Type : CB2P, CB4P, MD6C, MD7C, MD80M

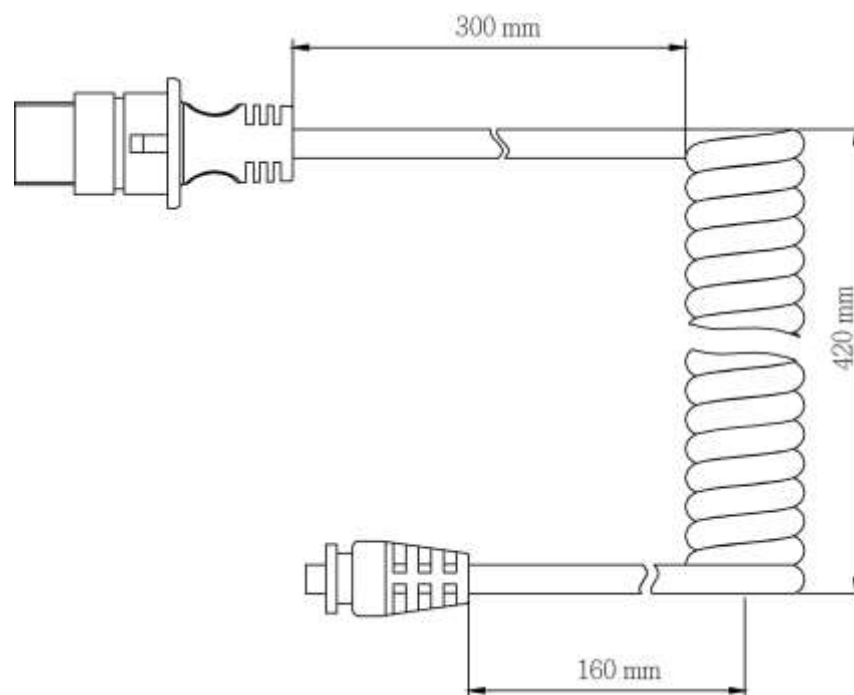
2. Available housing type of plug

	V type	H type
		
CB2P	✓	✓
CB4P	✓	✓
MD6C	✓	✓
MD7C	✓	✓
MD80M	✓	✓

Dimensions



Unit: mm



Ordering Key

H2D-□□-□-□□□-□□□-□□

Buttons

06 : 6 buttons

08 : 8 buttons

10 : 10 buttons

12 : 12 buttons

Number of Motors

2 : 2 motors

3 : 3 motors

4 : 4 motors

Hook

H30 : Hook (30mm)

H50 : Hook (50mm)

Color

0 : Standard—RAL 7035

Panel artwork code

A~E : Refer to paragraph of Standard Panel Artwork

Nurse lock

0 : Without nurse lock

L : 2-level nurse lock

Cable

0 : Standard (880mm/ Spiral 420mm)

Connector

V : V type housing with 90° waterproof DIN plug

H : H type housing with 180° waterproof DIN plug

Standard Panel Artwork

Code	A			B			C		
Motors	2 drives (Joint movement)			3 drives (Joint movement)			4 drives (Joint movement)		
Button Definition	1+	1+2+	2+	1+	1+2+	2+	1+	1+2+	2+
	1-	1-2-	2-	1-	1-2-	2-	1-	1-2-	2-
				3+			3+		4+
			3-			3-		4-	
Communication Type	P1			P1			P1		
Artwork									

Code	D			E		
Motors	4 drives (Joint movement)			4 drives (Joint movement)		
Button Definition	1+	1+2+	2+	1+	1+2+	2+
	1-	1-2-	2-	1-	1-2-	2-
	3+-4-		3+4+	3+	3+4+	4+
	3-4+		3-4-	3-	3-4-	4-
Communication Type	P1			P1		
Artwork						

Remarks:

1. Button Definition:

'1,2,3,4' represent number of actuator controlled.

'+' represents actuator extends.

'-' represents actuator retracts.

Terms of Use

The user is responsible for determining the suitability of MOTECK products for specific applications. Due to continuous development in order to improve its products, MOTECK products are subject to frequent modifications and changes without prior notice. MOTECK reserves the right to discontinue the sale of any products displayed on its website or listed in its catalogue or other written materials drawn up by MOTECK.