

# Handset H2T

H2T is designed for patient lift, stand up lifter and other homecare applications. The complete veneer design possesses the water resistance and dustproof abilities, and the arc shape makes it easy to hold. There are several LED indicators to show the control box battery status, overload alarm and main actuator lifetime, reminding users to charge the battery and to maintain the actuator.



## Feature

---


- Main applications: homecare
- Max. Number of motors this handset can drive: 2
- Available number of buttons: 2, 4, 5
- IP protection level: IPX6
- Panel Color: cool gray 10C
- Housing appearance & color: textured light gray RAL 7035
- Handset with hook for easy placement
- Cable type and length: total 880 mm long with 420 mm spiral cable
- LED indicator for battery condition
- LED indicator for service reminder
- LED indicator for overload alarm

## Option

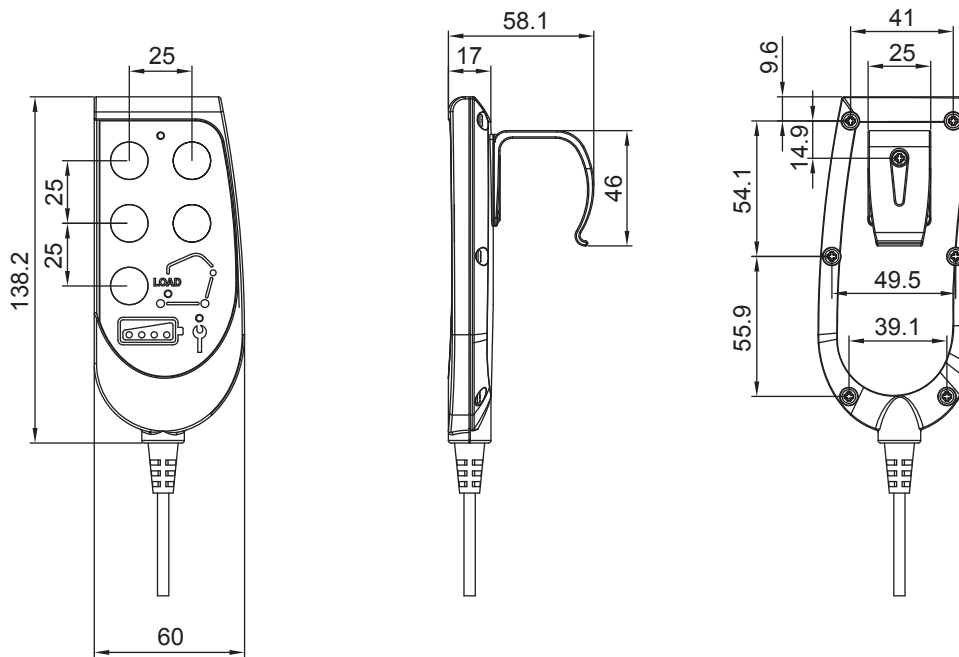
---

- Customized panel

## Compatibility

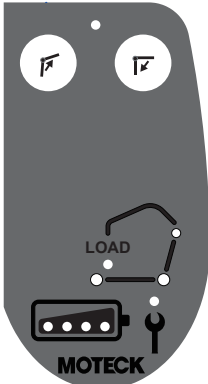
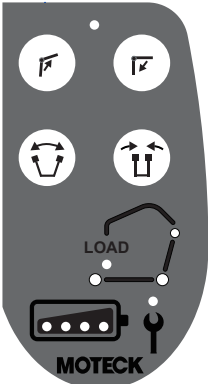
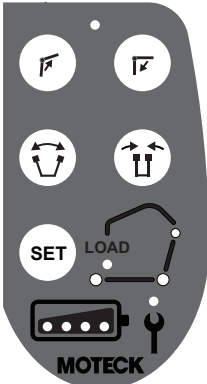
Product	Model	Connector
Control box	MOTECK S3 communication type: CBP3	180° waterproof, MOTECK H type DIN plug. 

## Dimensions



Unit: mm

## Standard Panel Artwork

Code	A		B		C	
Motor	1 drive		2 drives		Setting	
Button definition *	1+	1-	1+	1-	1+	1-
			2-	2+	2-	2+
					SET	
Artwork						

**\* Remark:**

1+ means actuator #1 extends, and 1- means retracts.  
 2- means actuator #2 retracts, and 2+ means extends.

## Ordering Key

H2T - 05 - S - 00 - 00 - 0 - C - 0 - H	
<b>Button</b>	<b>02:</b> 2 buttons <b>04:</b> 4 buttons <b>05:</b> 5 buttons
<b>Number of motor</b>	<b>1:</b> 1 motor <b>2:</b> 2 motors <b>S:</b> setting mode
<b>Function</b>	<b>00:</b> standard <b>S0:</b> setting mode
<b>Accessory</b>	<b>00:</b> none <b>SK:</b> safety key
<b>Housing color</b>	<b>0:</b> light gray (RAL 7035)
<b>Panel artwork code</b>	<b>A</b> <b>B</b> <b>C</b> (Refer to paragraph of Standard Panel Artwork)
<b>Cable length</b>	<b>0:</b> 880mm in length with 420mm spiral
<b>Connector</b>	<b>H:</b> MOTECK H type DIN plug

### Terms of Use

The user is responsible for application suitability of Moteck products. As ongoing improvement process continues, products listed on the Moteck website are subject to change without prior notice. Moteck reserves the right to terminate the sales or remove any product displayed on the website, or listed in its catalogues.