

Handset H3NT



Features

- ◆ H3NT is designed for use in homecare and furniture applications. All buttons of this handset have LED backlight. With touch sensor built-in, users can easily activate the backlight on when hold it or press any key.
- ◆ Main applications : homecare, furniture
- ◆ Max. number of motors this handset can drive : 2
- ◆ Available number of buttons : 3, 5, 6 or 7
- ◆ IP protection level : IP20
- ◆ Button material : silicone rubber
- ◆ Color : Pantone® 425C
- ◆ Housing appearance : textured black
- ◆ Handset holder with 20mm gap hook for easy placement
- ◆ Cable type : black, 1850mm long with 500mm spiral

Options

- ◆ Joint movement for 2 motors
- ◆ Larger gap hook (nominal 50mm)
- ◆ Holder without hook
- ◆ Matt black painting

Compatibility

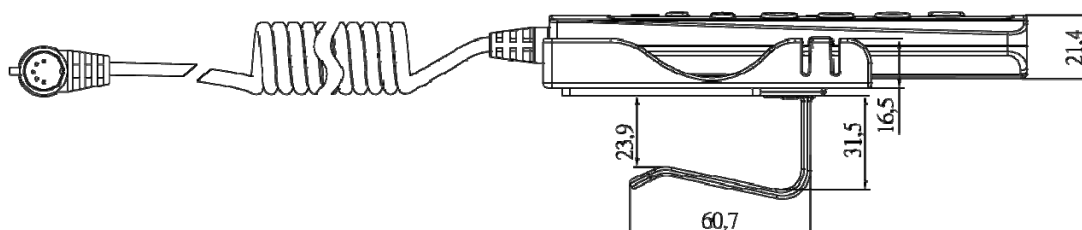
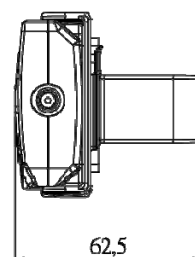
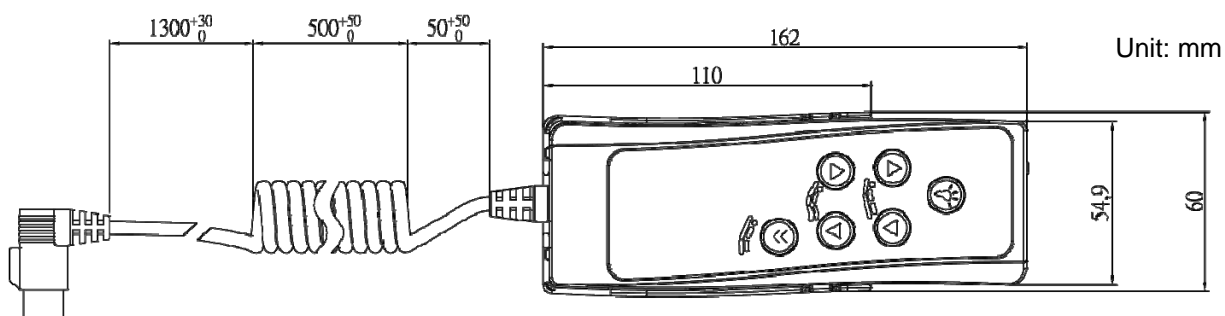
1. Control Box :

T-Control, CS1, CB4P, MD6C

2. Dual Motors :

Twinmat I, Twinmat II, Twinmat III,

Dimension



Ordering Key



Buttons

- 03 : 3 buttons
- 05 : 5 buttons
- 06 : 6 buttons
- 07 : 7 buttons

Number of Motors

- 1 : 1 motor
- 2 : 2 motors

Functions

- 00 : Standard
- 01 : Joint movement

Accessories

- H2H : Standard—Holder with hook (20mm gap)
- H5H : Holder with hook (50mm gap)
- H0H : Holder without hook

Color

- 0 : Standard—black textured
- 1 : Matt black paint

Panel artwork code

- (Refer to next page for standard panel)
- Z : Customized

Cable

- 0 : Spiral (1850mm)
- Z : Customized

Connector

- F : F type housing with 90° DIN plug (for T-Control, CS1...etc.)
- A : A type housing with 90° DIN plug (for Twinmat)
- V : V type housing with 90° waterproof DIN plug (for CB4P, MD6C...etc.)
- H : H type housing with 180° waterproof DIN plug (for CB4P, MD6C...etc.)

Standard Panel Artwork

Code	A		B		C		D	
Motors	1 drive		2 drives		2 drives		2 drives	
Button Definition	LED Torch		LED Torch		LED Torch		LED Torch	
	1+	1-	1+	1-	1+	1-	1+	1-
			2+	2-	2+	2-	2+	2-
						1-2-	1+2+	1-2-
Artwork								

Terms of Use

The user is responsible for determining the suitability of MOTECK products for specific applications. Due to continuous development in order to improve its products, MOTECK products are subject to frequent modifications and changes without prior notice. MOTECK reserves the right to discontinue the sale of any products displayed on its website or listed in its catalogue or other written materials drawn up by MOTECK.