

Handset

H3T-M



Features

- ◆ H3T-M is attributing to advanced Moteck **MoBus** communication protocol. All buttons can be defined by software according to different application requirements. It works with MD6C-M control box, supporting movement up to 4 actuators.
- ◆ Main applications : medical
- ◆ Available number of buttons : 8 max.
- ◆ IP protection level : IPX4
- ◆ Panel Color : Cool Gray 10C
- ◆ Housing appearance & color : textured light gray (RAL 7035)
- ◆ With hook
- ◆ Cable type and length : total 880mm long with 420mm spiral cable

Options

- ◆ Larger gap hook (50mm)
- ◆ Moteck V-type or H-type DIN plug



V-type



H-type

Compatibility

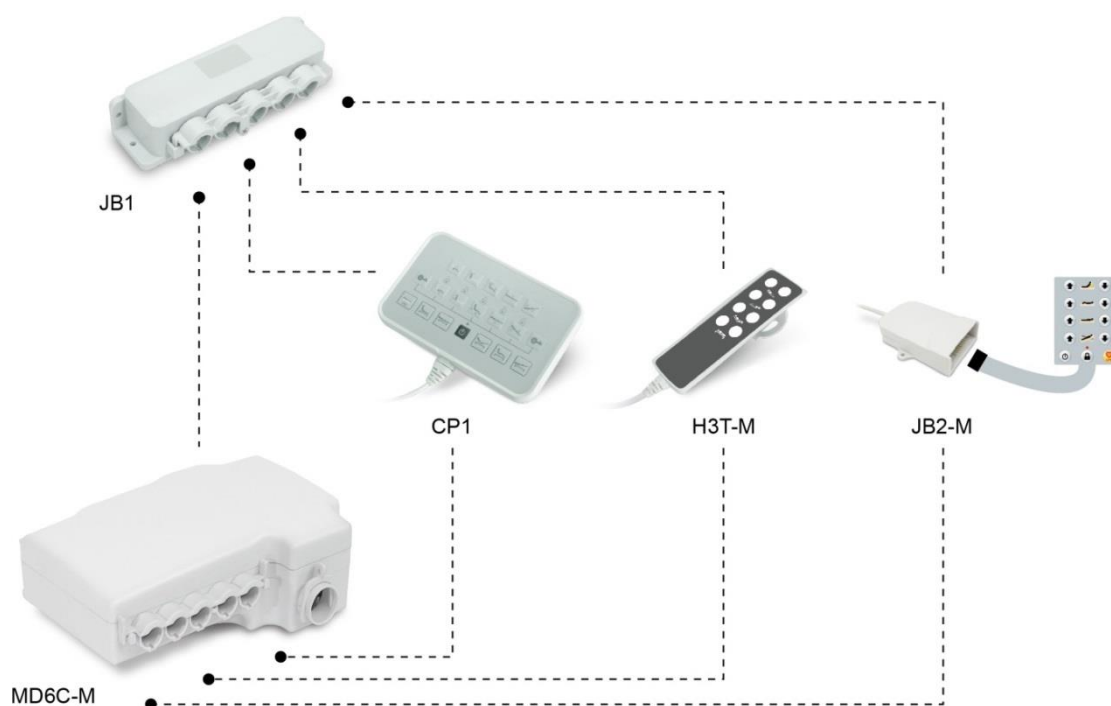
1. Control box

MoBus protocol family : MD6C-M

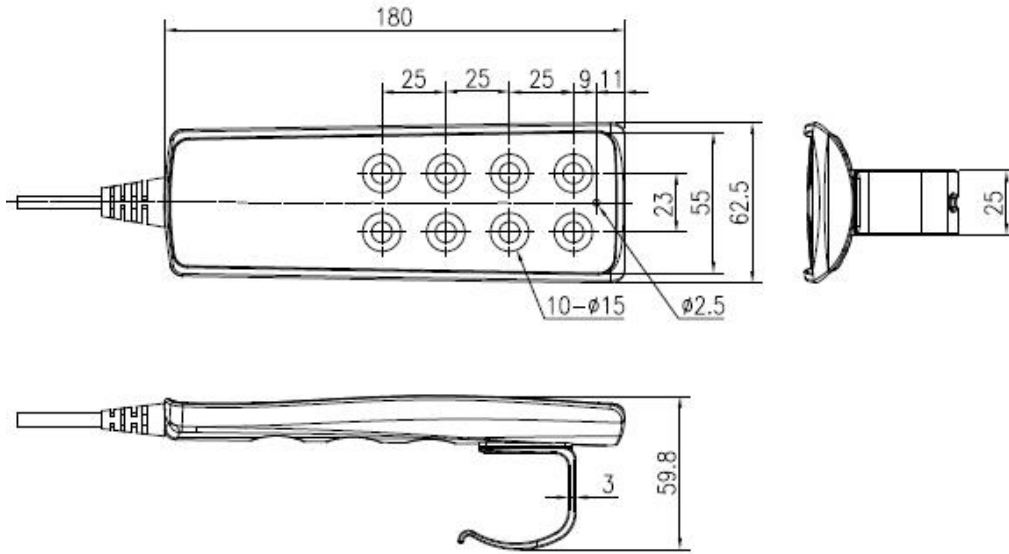
2. Accessory

Junction box : JB1

MoBus Family



Dimensions



Unit: mm

Standard Panel Artwork

| Code | A | | B | | C | | D | | E | |
|-------------------|----------|------|----------|------|----------|------|----------|------|----------|------|
| Motors | 2 drives | | 2 drives | | 3 drives | | 4 drives | | 4 drives | |
| Button Definition | 1+ | 1- | 1+ | 1- | 1+ | 1- | 1+ | 1- | 1+ | 1- |
| | 2+ | 2- | 2+ | 2- | 2+ | 2- | 2+ | 2- | 2+ | 2- |
| | 1+2+ | 1-2- | 1+2+ | 1-2- | 1+2+ | 1-2- | 1+2+ | 1-2- | 1+2+ | 1-2- |
| | | | | | 3+ | 3- | 3+4+ | 3-4- | 3+4+ | 3-4- |
| Artwork | | | | | | | | | | |

***Button Definition:**

- ◆ '1, 2, 3, 4' represent number of actuator controlled.
- ◆ '+' represents actuator extends.
- ◆ '-' represents actuator retracts.

Ordering Key

H3T-M-□-□□□-0 0

Number of button

6 : 6 buttons

8 : 8 buttons

Hook

3 : Standard hook (30mm)

5 : Larger gap hook (50mm)

Panel artwork code

A, B, C, D, E

(Refer to paragraph of Standard Panel Artwork)

Connector

V : Moteck V-type DIN plug

H : Moteck H-type DIN plug

Reserved

Reserved

Terms of Use

The user is responsible for determining the suitability of MOTECK products for specific applications. Due to continuous development in order to improve its products, MOTECK products are subject to frequent modifications and changes without prior notice. MOTECK reserves the right to discontinue the sale of any products displayed on its website or listed in its catalogue or other written materials drawn up by MOTECK.