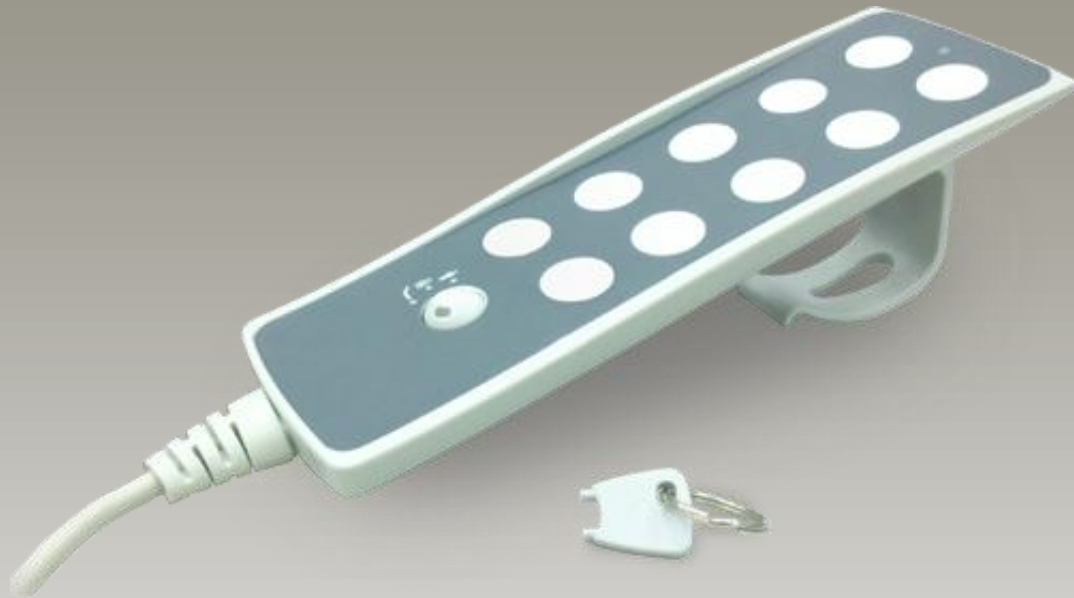


# Handset

## H3T



### Features

- ◆ H3T is designed for home care and furniture applications. With its 3-level Nurse Lock design, it can prevent from the danger due to improper operation.
- ◆ Main applications : home care, medical
- ◆ Max. number of motors this handset can drive : 4
- ◆ Available number of buttons : 2, 4, 6, 8 or 10
- ◆ IP protection level : IPX4
- ◆ Panel Color : Cool Gray 10C
- ◆ Housing appearance & color : textured light gray (RAL 7035)
- ◆ With hook
- ◆ Cable type and length : total 880mm long with 420mm spiral cable
- ◆ LED indicator

# Options

- ◆ Joint movement for 2 motors
- ◆ 2 or 3 level Nurse Lock

# Compatibility


## 1. Control box

Moteck P1 Communication Type: T Control, CB2P, CBP2, CBT2, CB3T, CB4M, CB4P, CS1, MD6C, MD7C, MD80M

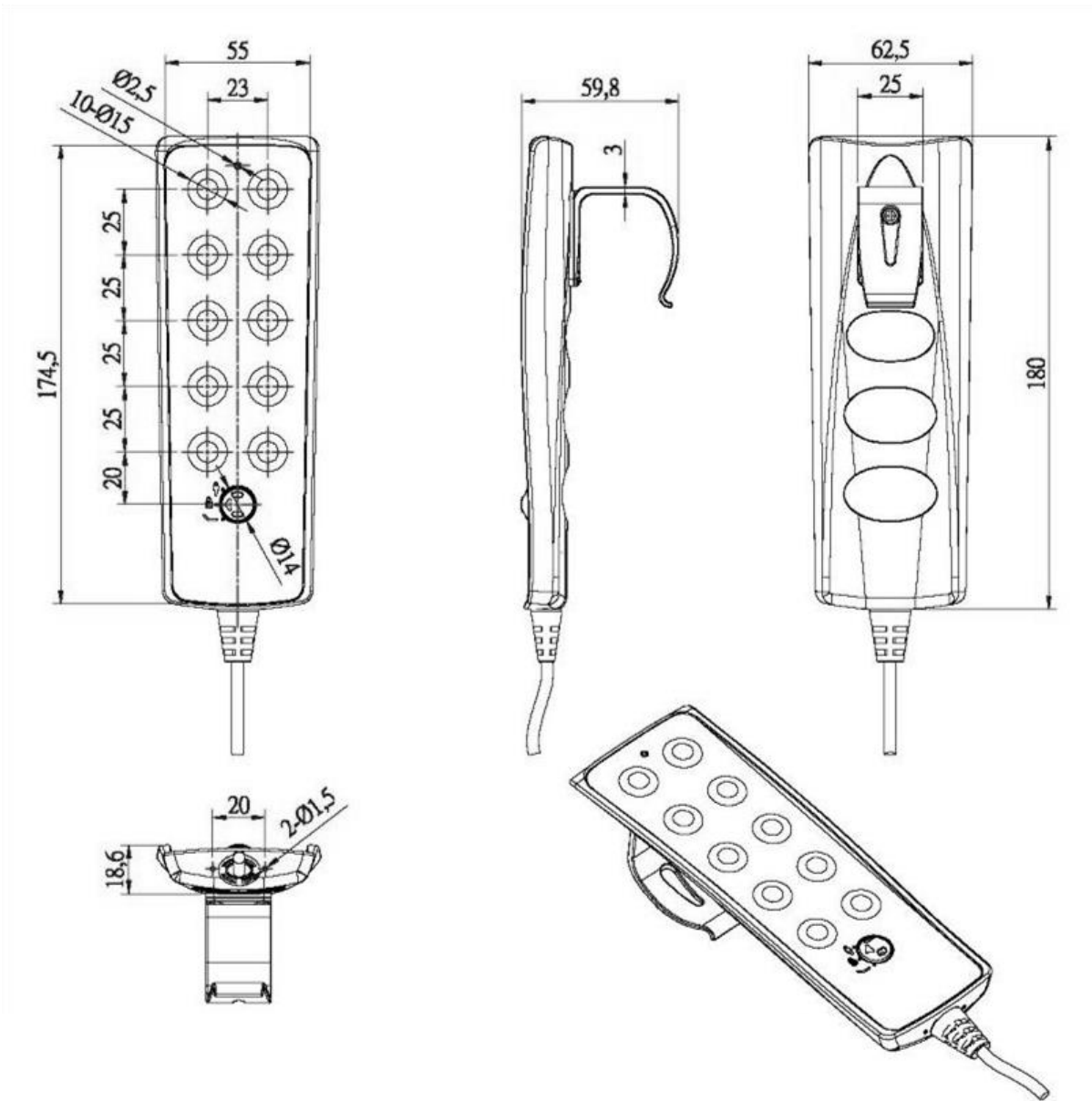
## 2. Double motors

Moteck P1 Communication Type: Twinmat I, Twinmat II, Twinmat III, Twinmat IV

## 3. Available housing type of plug

	F type	A type	V type	H type
				
T Control	✓			
CB2P			✓	✓
CBP2			✓	✓
CBT2	✓			
CB3T	✓			
CB4M	✓			
CB4P			✓	✓
CS1	✓			✓
MD6C			✓	✓
MD7C			✓	✓
MD80M			✓	✓
Twinmat I		✓		
Twinmat II		✓		
Twinmat III		✓		
Twinmat IV		✓		

# Dimension



Unit: mm

# Ordering Key

H3T-□□-□□-□□-□□□□-□□□□-□□□□

## Number of button

02 : 2 buttons ; 04 : 4 buttons

06 : 6 buttons ; 08 : 8 buttons

10 : 10 buttons

## Number of Motors

1 : 1 actuator ; 2 : 2 actuators

3 : 3 actuators ; 4 : 4 actuators

## Function

00 : Standard

01 : Joint movement

## Option

00 : No accessory

NL2 : 2-level nurse lock

NL3 : 3-level nurse lock

## Color

0 : Standard—RAL 7035 (light gray)

Z : Customized

## Panel artwork code

(Refer to next page for panel artwork options)

Z : Customized

## Cable

0 : Standard (880mm)

Z : Customized

## Connector

F : F type housing with 90° DIN plug

A : A type housing with 90° DIN plug

V : V type housing with 90° waterproof DIN plug

H : H type housing with 180° waterproof DIN plug

# Standard Panel Artwork

Code	A		B		C		D		E	
Motors	1 drive		1 drive		1 drive		2 drives		2 drives	
Button Definition	1+	1-	1+	1-	1+	1-	1+	1-	1+	1-
							2+	2-	2+	2-
Communication Type	P1		P1		P1		P1		P1	
Artwork										
Code	F		G		H		I		J	
Motors	2 drives		2 drives		2 drives		2 drives		2 drives	
Button Definition	1-	1-			1+	1-	1+	1-	1+	1-
	2+	2-	1-	1-	1+2+	1-2-	1+2+	1-2-	1+2+	1-2-
			2+	2-	2+	2-	2+	2-	2+	2-
Communication Type	P1		P1		P1		P1		P1	
Artwork										

Code	K		L		M		N		O	
Motors	3 drives		3 drives		3 drives		3 drives		4 drives	
Button Definition					1+	1-	1+	1-		
	1+	1-	1+	1-	1+2+	1-2-	1+2+	1-2-	1+	1-
	2+	2-	2+	2-	2+	2-	2+	2-	2+	2-
	3+	3-	3+	3-	3+	3-	3+	3-	3+	3-
Communication Type	P1		P1		P1		P1		P1	
Artwork										
Code	P		Q		<b>*Button Definition:</b> '1,2,3,4' represent number of actuator controlled. '+' represents actuator extends. '-' represents actuator retracts.					
Motors	4 drives		4 drives							
Button Definition	1+	1-	1+	1-						
	1+2+	1-2-	1+2+	1-2-						
	2+	2-	2+	2-						
	3+4+	3-4-	3+	3-						
Communication Type	P1		P1							
Artwork										

**Terms of Use**

The user is responsible for determining the suitability of MOTECK products for specific applications. Due to continuous development in order to improve its products, MOTECK products are subject to frequent modifications and changes without prior notice. MOTECK reserves the right to discontinue the sale of any products displayed on its website or listed in its catalogue or other written materials drawn up by MOTECK.