

# Handset H4N



## Features

- ◆ H4N is designed for homecare and furniture applications. It features with the optional built-in sensor for keypad backlight, which can be triggered and turn on the keypad backlight automatically when user takes up the handset, making it easier to use in darkness. Its soft paint coating provides user with great touch feeling. There is also RF remote version, TX2T, available for customer to choose.
- ◆ Main applications : homecare, furniture
- ◆ Max. number of motors this handset can drive : 2
- ◆ Available number of buttons : 5, 7, 8 or 10
- ◆ LED torch function (blue)
- ◆ Color : black with soft paint coating
- ◆ Cable : Total 1850mm long with 500 mm spiral cable

# Options

- ◆ Support positions memory function (digital version, one touch)
- ◆ Keypad backlight : blue, triggered by accelerometer (g-sensor) and buttons or only buttons
- ◆ Holder with or without hook

# Compatibility



## 1. Control box

Without position memory function (Analog version)	Motek P1 communication type : T Control, CS1
With position memory function (Digital version)	Motek S1 communication type : CS2

## 2. Double motor

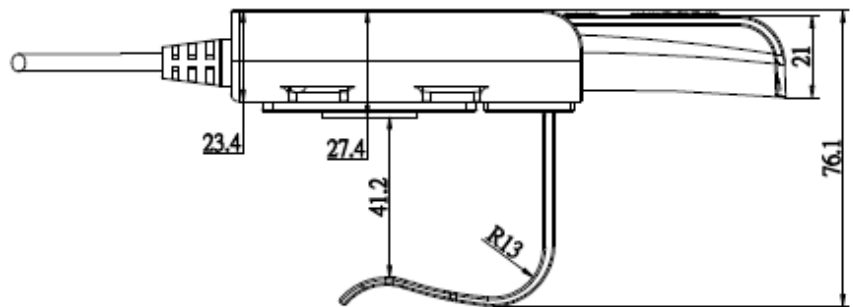
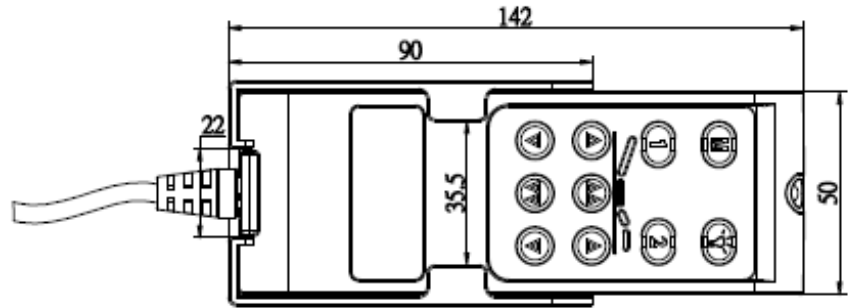
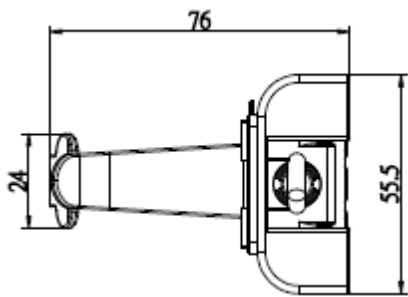
Without position memory function (Analog version)	Motek P1 communication type : Twinmat I, Twinmat II, Twinmat III, Twinmat IV
With position memory function (Digital version)	Motek S1 communication type : Twinmat I, Twinmat II

## 3. Available housing type of plug

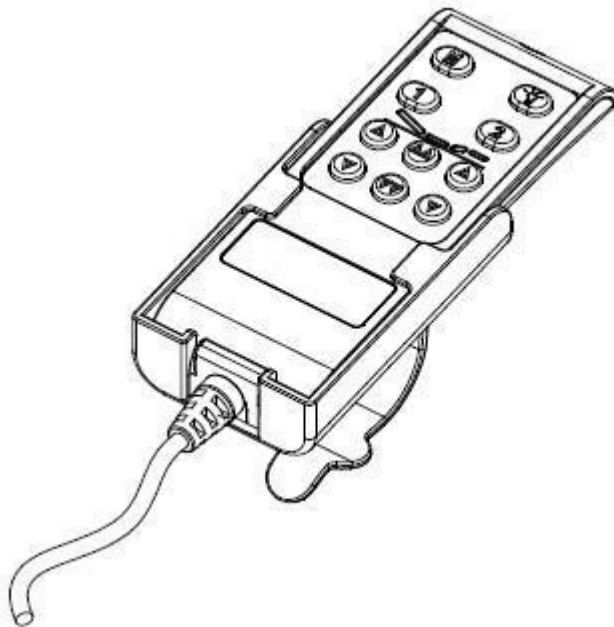
	F type	A type
		
T Control	✓	
CS1	✓	
CS2	✓	
Twinmat I		✓
Twinmat II		✓
Twinmat III		✓
Twinmat IV		✓

# Dimensions

◆ Holder with 50 mm gap hook



Unit: mm



# Ordering Key



## Number of Buttons

- 05 : 5 buttons
- 07 : 7 buttons
- 08 : 8 buttons
- 10 : 10 buttons

## Number of Motors

- 2 : 2 motors

## Function

- 00 : Standard
- 01 : Joint movement
- 03 : Position memory (digital version)
- 04 : Joint movement and position memory (digital version)

## Accessory

- H3H : Holder with 30mm hook
- H5H : Holder with 50mm hook
- H0H : Holder without hook

## Backlight

- 0 : Without backlight
- 1 : Triggered by buttons
- 2 : Triggered by accelerometer or buttons

## Panel artwork code

(Refer to next page for panel artwork options)

## Cable

- 0 : Standard(1850mm/Spiral 500mm)

## Connector

- F : F type housing with 90°DIN plug
- A : A type housing with 90°DIN plug

# Standard Panel Artwork

Code	A			B			C			D		
Motors	2 drives			2 drives			2 drives			2 drives		
Button Definition		T			T			T			T	
	1+		2+	1+		2+	1+	1+2+	2+	1+	1+2+	2+
	1-		2-	1-		2-	1-	1-2-	2-	1-	1-2-	2-
Communication Type	Analog (P1)			Analog (P1)			Analog (P1)			Analog (P1)		
Artwork												

Code	E			F			G			H		
Motors	2 drives			2 drives			2 drives			2 drives		
Button Definition	M		T	M		T	M		T	M		T
	M1		M2	M1		M2	M1		M2	M1		M2
	1+		2+	1+		2+	1+	1+2+	2+	1+	1+2+	2+
	1-		2-	1-		2-	1-	1-2-	2-	1-	1-2-	2-
Communication Type	Digital (S1)			Digital (S1)			Digital (S1)			Digital (S1)		
Artwork												

**Remarks:**

M: Save memory positions

T: LED torch

M1: Go to memory position #1

M2: Go to memory position #2

1+: Number 1 actuator extends.

1-: Number 1 actuator retracts.

2+: Number 2 actuator extends.

2-: Number 2 actuator retracts.

**Terms of Use**

The user is responsible for determining the suitability of MOTECK products for specific applications. Due to continuous development in order to improve its products, MOTECK products are subject to frequent modifications and changes without prior notice. MOTECK reserves the right to discontinue the sale of any products displayed on its website or listed in its catalogue or other written materials drawn up by MOTECK.