

Handset

HF



Features

- ◆ HF is designed for homecare and furniture applications which can work well with Moteck standard control box and double motor, such as T Control, CS1, CB3T, CB4M, CBT2, CB2P, CB4P, MD6C and Twinmat (I/II/III/IV).
- ◆ Main applications : homecare, furniture
- ◆ Max. number of motors this handset can drive : 4
- ◆ Available number of buttons : 2, 4, 6, 8 or 10
- ◆ Housing appearance & color : Light Gray (RAL 7035)
- ◆ Cable type and length : total 880mm long with 420mm spiral cable
- ◆ LED Indicator
- ◆ With hook (30mm)
- ◆ IPX4

Option

- ◆ 50mm hook
- ◆ Safety key

Compatibility

1. Control box

Moteck P1 Communication Type:




T Control, CS1, CB3T, CB4M, CBT2, CB2P, CB4P, MD6C

2. Double motor

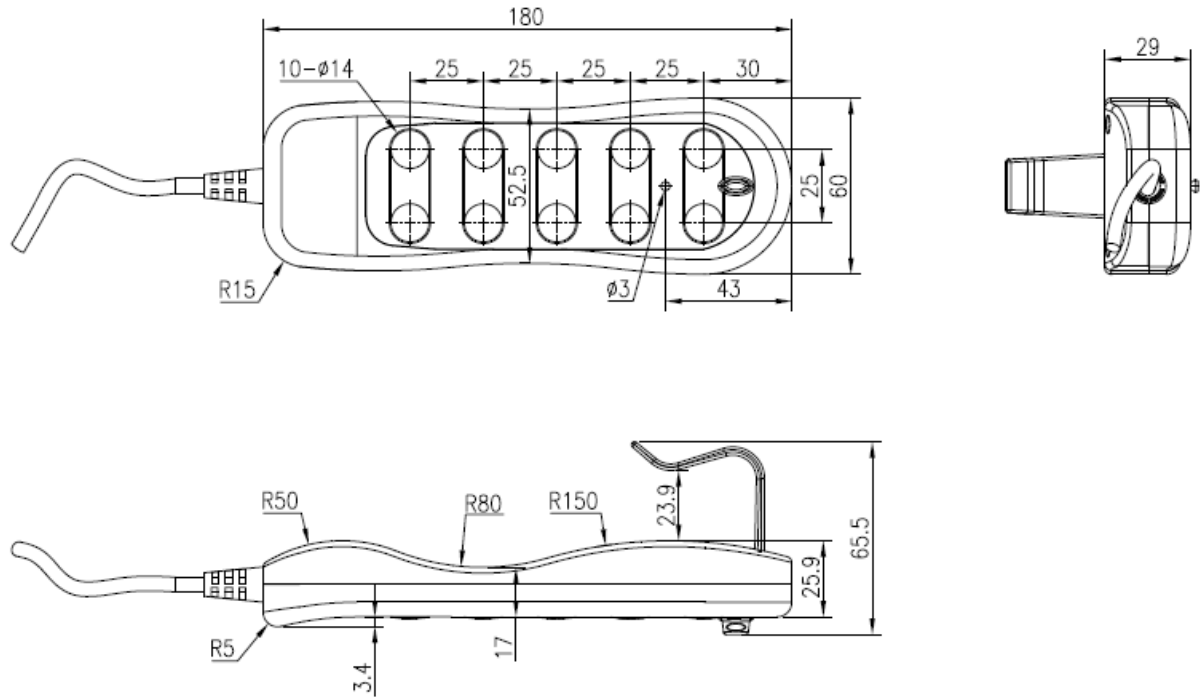
Moteck P1 Communication Type:

Twinmat I (TW40/TW60), Twinmat II (TW41/TW61), Twinmat III (TW42),
Twinmat IV (TW43)

3. Available housing type of plug

	F type	A type	V type	H type
				
T Control	✓			
CB3T	✓			
CB4M	✓			
CBT2	✓			
CB2P			✓	✓
CB4P			✓	✓
MD6C			✓	✓
CS1	✓			
Twinmat I		✓		
Twinmat II		✓		
Twinmat III		✓		
Twinmat IV		✓		

Dimensions



Unit: mm

Ordering Key

HF-□□-□□-□□-□□□□-□□□□

Number of button

- 02 : 2 buttons
- 04 : 4 buttons
- 06 : 6 buttons
- 08 : 8 buttons
- 10 : 10 buttons

Number of Motors

- 1 : 1 actuator 2 : 2 actuators
- 3 : 3 actuators 4 : 4 actuators

Function

- 00 : Standard
- 01 : Joint movement

Accessory

- H30 : Hook (30mm)
- H50 : Hook (50mm)
- SK : Safety key

Color

- 0 : Standard—Light Gray (RAL 7035)

Panel artwork code

(Refer to next page for panel artwork options)

Cable

- 0 : Standard (880mm/ Spiral 420mm)

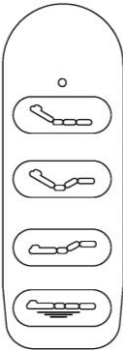
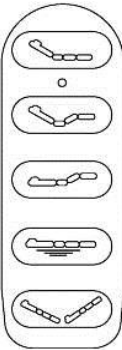
Connector

- F : F type housing with 90° DIN plug
- A : A type housing with 90° DIN plug

Standard Panel Artwork

Code	A		B		C		D		E	
Motors	1 drive		2 drives		2 drives		3 drives		3 drives	
Button Definition										
	1+	1-	1+	1-	1+	1-	1+	1-	1+	1-
			2+	2-	1+2+	1-2-	2+	2-	1+2+	1-2-
					2+	2-	3+	3-	2+	2-
									3+	3-
Communication Type	P1		P1		P1		P1		P1	
Artwork										

Code	F		G		H		I		J	
Motors	4 drives		4 drives		1 drives		2 drives		2 drives	
Button Definition			1+	1-						
	1+	1-	1+2+	1-2-	1+	1-	1+	1-	1+	1-
	2+	2-	2+	2-			2+	2-	1+2+	1-2-
	3+	3-	3+	3-					2+	2-
	4+	4-	4+	4-						
Communication Type	P1		P1		P1		P1		P1	
Artwork										

Code	K		L	
Motors	3 drives		4 drives	
Button Definition			1+	1-
	1+	1-	1+2+	1-2-
	1+2+	1-2-	2+	2-
	2+	2-	3+4+	3-4-
	3+	3-	3+4-	3-4+
Communication Type	P1		P1	
Artwork				

Button Definition:

- '1,2,3,4' represent number of actuator controlled.
- '+' represents actuator extends.
- '-' represents actuator retracts.

Terms of Use

The user is responsible for determining the suitability of MOTECK products for specific applications. Due to continuous development in order to improve its products, MOTECK products are subject to frequent modifications and changes without prior notice. MOTECK reserves the right to discontinue the sale of any products displayed on its website or listed in its catalogue or other written materials drawn up by MOTECK.