

Handset

HTF

HTF is designed for patient hoists or stand-up lifts and other homecare applications. The complete panel cover design enhances the water proof ability on this handset. And the arc shape makes it easy to hold. There is also optional safety key function for more security.




Feature

Main applications: home care
Main unمبر of motors this handset can drive: 2
Available number of buttons: 2, 4
IP protection level: IPX5
Housing appearance & color: textured light gray (RAL 7035)
Panel Color: cool gray 10C
Handset with hook for easy placement
Cable type and length: total 880mm long with 420mm spiral cable

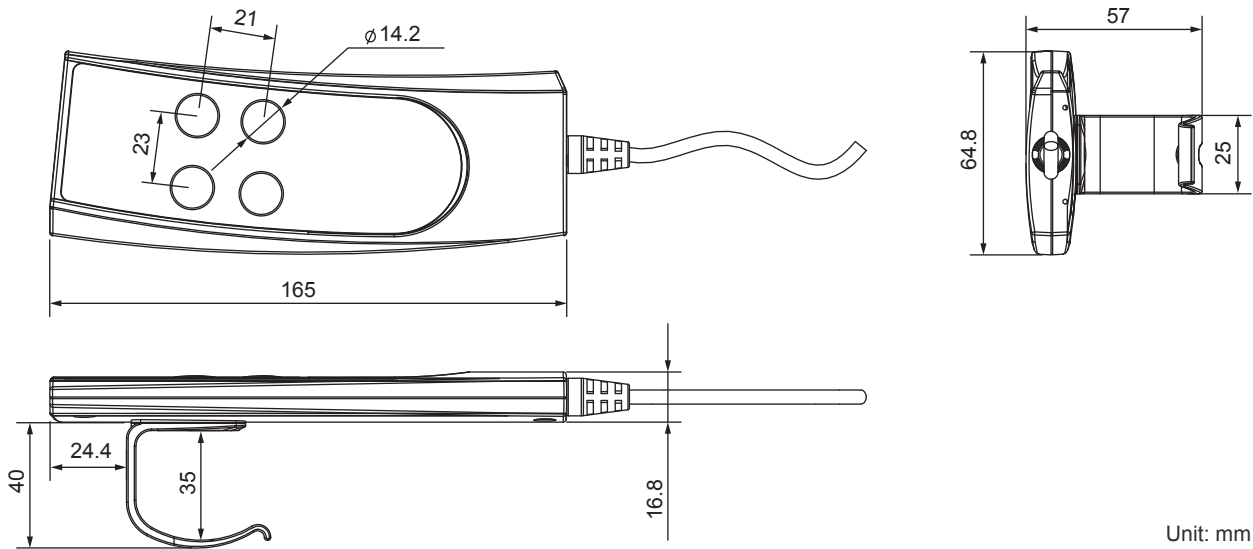
Option

Safety key
Customized panel

Compatibility

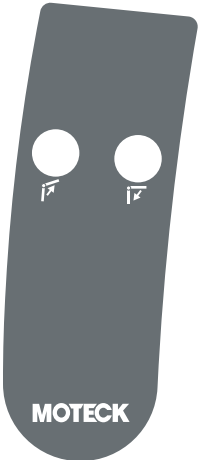
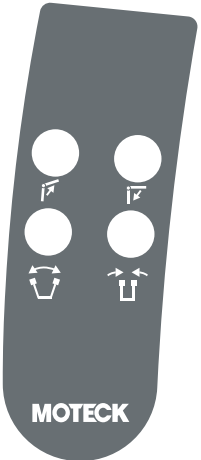
Product	Model	Connector
Control box	MOTECK P2 communication type: CBP2, CBP3	180° waterproof, MOTECK H type DIN plug. 

Dimensions



Unit: mm

Standard Panel Artwork

Code	A		B	
Motor	1 drive		2 drives	
Button definition *	1+	1-	1+	1-
			2-	2+
Artwork				

*** Remark:**

1+ means actuator #1 extends, and 1- means retracts.
 2- means actuator #2 retracts, and 2+ means extends.

Ordering Key

HTF - 04 - 2 - 00 - 00 - 0 B 0 H	
Button	02 : 2 buttons 04 : 4 buttons
Number of motor	1 : 1 motor 2 : 2 motors
Function	00 : standard
Accessory	00 : none SK : safety key
Housing color	0 : light gray (RAL 7035)
Panel artwork code	(Refer to paragraph of Standard Panel Artwork)
Cable length	0 : 880mm in length with 420mm spiral
Connector	H : MOTECK H type DIN plug

Terms of Use

The user is responsible for application suitability of Moteck products. As ongoing improvement process continues, products listed on the Moteck website are subject to change without prior notice. Moteck reserves the right to terminate the sales or remove any product displayed on the website, or listed in its catalogues.