

# Actuator ID10



## Features

- ◆ ID10 features its heavy load capability and high speed design, which is suitable for various industrial applications requiring rapid movement, such as agricultural and construction machine. The adjustable limit cam is equipped for users to fine-tune the stroke based on their needs. Ball screw or ACME screw threaded spindle is available for users to choose.
- ◆ Main applications : Industrial
- ◆ Input voltage : 24V DC / 12V DC
- ◆ Max. rated load : 3,500N (ACME), 7,000N (Ball screw)
- ◆ Max. static load : 4,500N (ACME), 13,600N (Ball screw)
- ◆ Max. current : 26.4 A @ 12V DC
- ◆ Max. speed : 67.1 mm/sec @ no load
- ◆ Stroke : 102~610 mm
- ◆ Duty cycle : 25%, max 2 min continuous operation in 8 min.
- ◆ IP protection level : IP54
- ◆ Color : Black
- ◆ Certified : CE marking, EMC Directive 2014/30/EU
- ◆ Overload protection by clutch
- ◆ Power wire length : 250mm (with tinned wires)
- ◆ Operating temperature : -25°C~+65°C
- ◆ Extension tube material : Iron (ACME) or stainless steel (Ball screw)

---

## Options

- ◆ Potentiometer (POT) analog positioning feedback
- ◆ IP65
- ◆ Adjustable limit switches (Not allowed to adjust if protection level is IP65)
- ◆ Manual drive connector\* (MD, can be driven by hand with a 8mm hex bit screwdriver or electric screwdriver)

\*Remarks: MD is compatible with **IP54** and Gear ratio **5:1**、**10:1** or **20:1**.  
Meanwhile, not compatible with **IP65**, **Limit switches** nor **POT**.

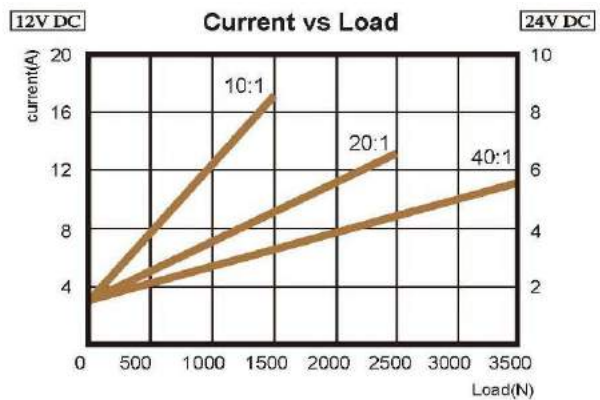
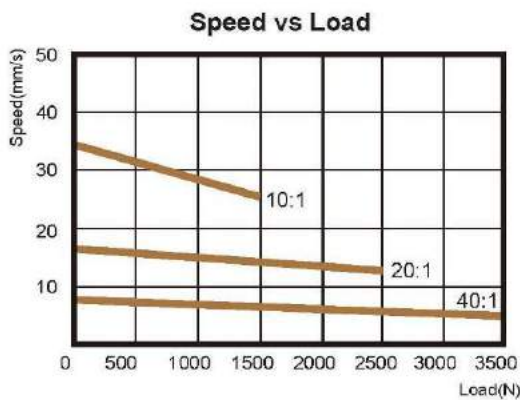
## Compatibility

Control Box	Compatible Handset	ID10 Specification Conditions
CI10	N/A	24VDC, no positioning sensor feedback
CIS3	HM	24VDC, with Potentiometer

# Performance Data

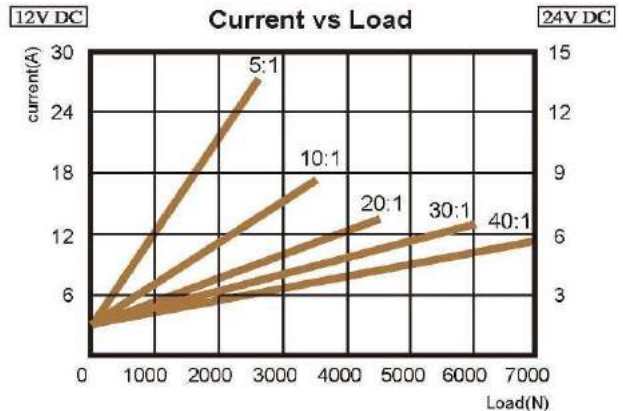
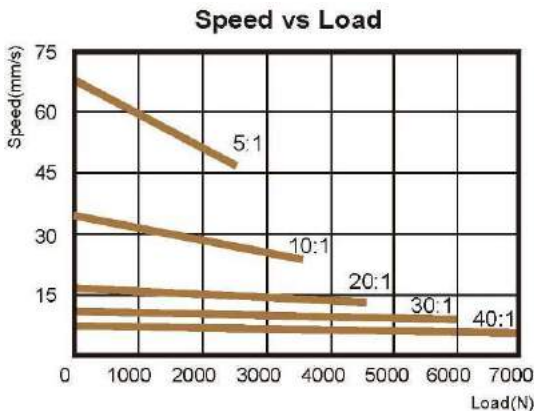
## ◆ ID10 ACME

Model No.	Push/Pull Max. (N)	Speed (mm/s)		Current (A)			
		No load	Full load	No load		Full load	
				12V	24V	12V	24V
ID10-XX-10-A-XXX	1500	33.5	26.7	3.4	2.2	17.6	8.8
ID10-XX-20-A-XXX	2500	16.8	14.3	3.4	2.2	13.2	6.6
ID10-XX-40-A-XXX	3500	8.4	7.4	3.4	2.2	11.0	5.5



## ◆ ID10 Ball Screw

Model No.	Push/Pull Max. (N)	Speed (mm/s)		Current (A)			
		No load	Full load	No load		Full load	
				12V	24V	12V	24V
ID10-XX-05-B-XXX	2500	67.1	47.2	3.4	2.2	26.4	13.2
ID10-XX-10-B-XXX	3500	33.5	26.7	3.4	2.2	17.6	8.8
ID10-XX-20-B-XXX	4500	16.8	14.3	3.4	2.2	13.2	6.6
ID10-XX-30-B-XXX	6000	11.2	9.8	3.4	2.2	12.1	6.1
ID10-XX-40-B-XXX	7000	8.4	7.4	3.4	2.2	11.0	5.5

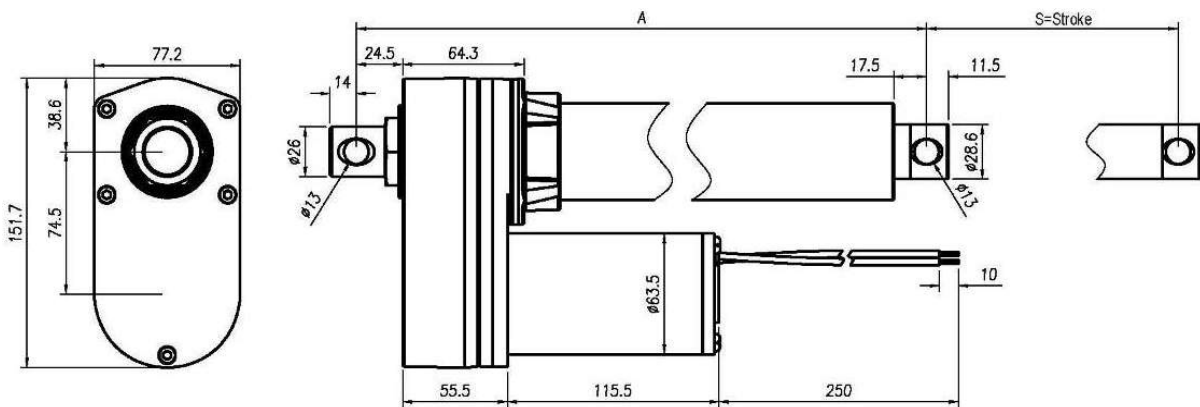


# Dimensions

## ID10 ACME

### ◆ Standard

	4"	6"	8"	10"	12"	18"	24"
Stroke ( $\pm 2.5\text{mm}$ )	102	153	203	254	305	457	610
Retracted Length ( $A \pm 3.8\text{mm}$ )	262	313	364	414	465	668	821



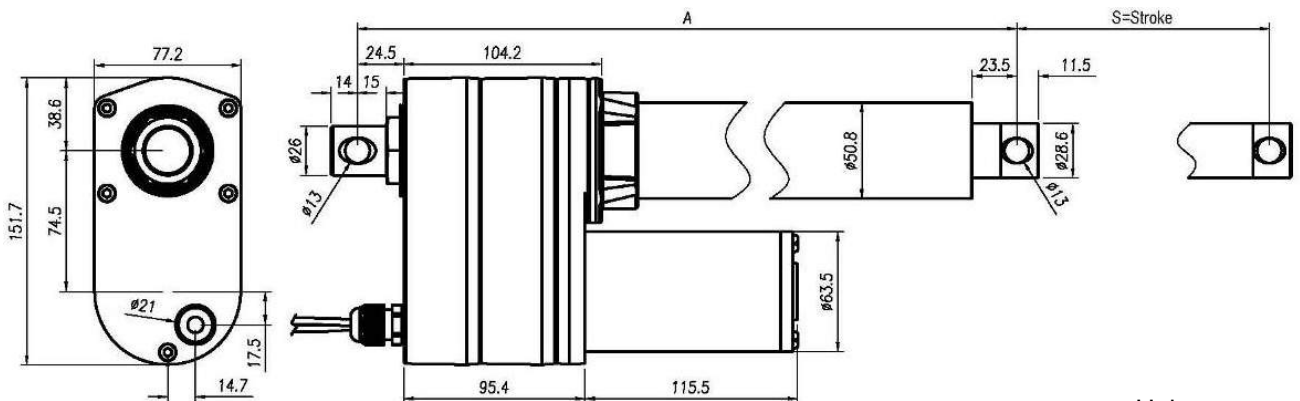
Unit: mm

### ◆ Only Potentiometer(POT)

	4"	6"	8"	10"	12"	18"	24"
Stroke ( $\pm 2.5\text{mm}$ )	102	153	203	254	305	457	610
Retracted Length ( $A \pm 3.8\text{mm}$ )	302	353	404	454	505	708	861

### ◆ Only Limit Switches or Limit Switches and POT

	4"	6"	8"	10"	12"	18"	24"
Stroke ( $\pm 2.5\text{mm}$ )	102	153	203	254	305	457	610
Retracted Length ( $A \pm 3.8\text{mm}$ )	359	410	460	511	613	765	918

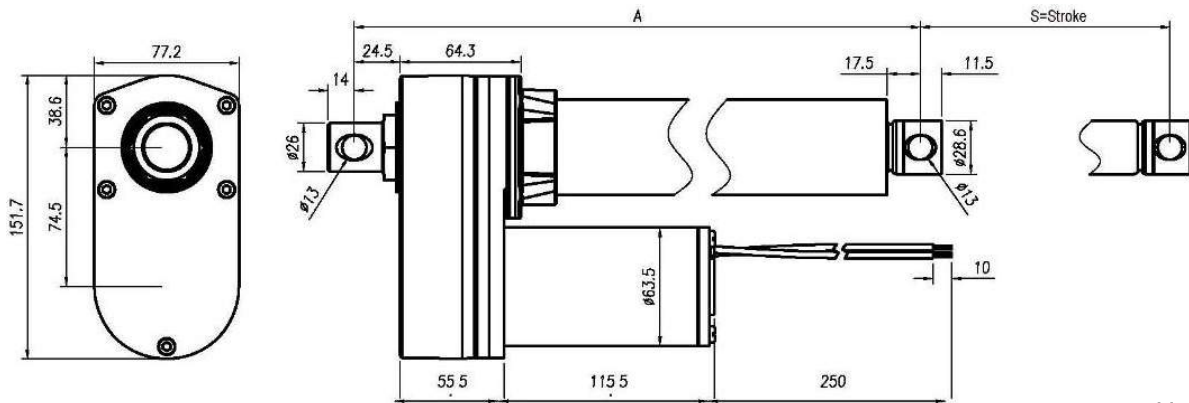


Unit: mm

# ID10 Ball Screw

## ◆ Standard

	4"	6"	8"	10"	12"	18"	24"
Stroke ( $\pm 2.5\text{mm}$ )	102	153	203	254	305	457	610
Retracted Length ( $A \pm 3.8\text{mm}$ )	302	353	404	455	506	735	888



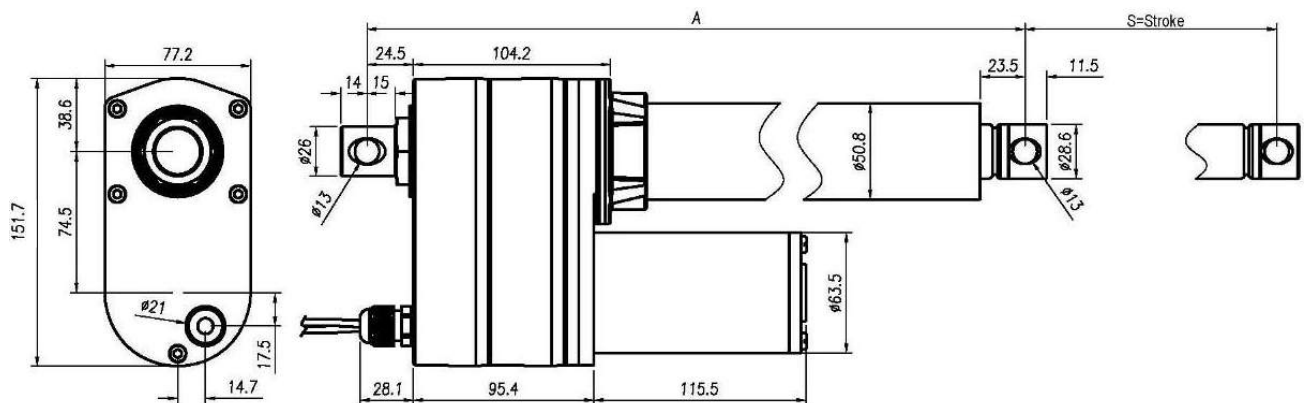
Unit: mm

## ◆ Only Potentiometer(POT)

	4"	6"	8"	10"	12"	18"	24"
Stroke ( $\pm 2.5\text{mm}$ )	102	153	203	254	305	457	610
Retracted Length ( $A \pm 3.8\text{mm}$ )	342	393	444	495	546	775	928

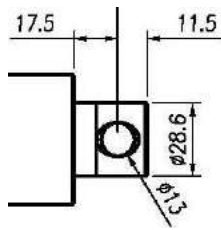
## ◆ Only Limit Switches or Limit Switches and POT

	4"	6"	8"	10"	12"	18"	24"
Stroke ( $\pm 2.5\text{mm}$ )	102	153	203	254	305	457	610
Retracted Length ( $A \pm 3.8\text{mm}$ )	399	450	501	552	680	832	985



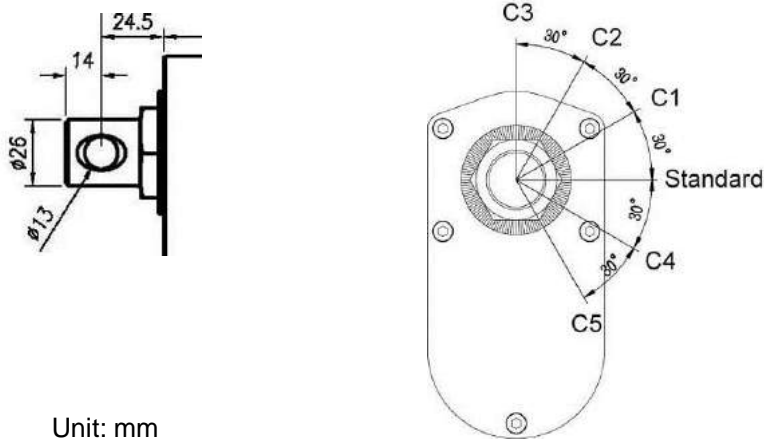
Unit: mm

◆ Front connector



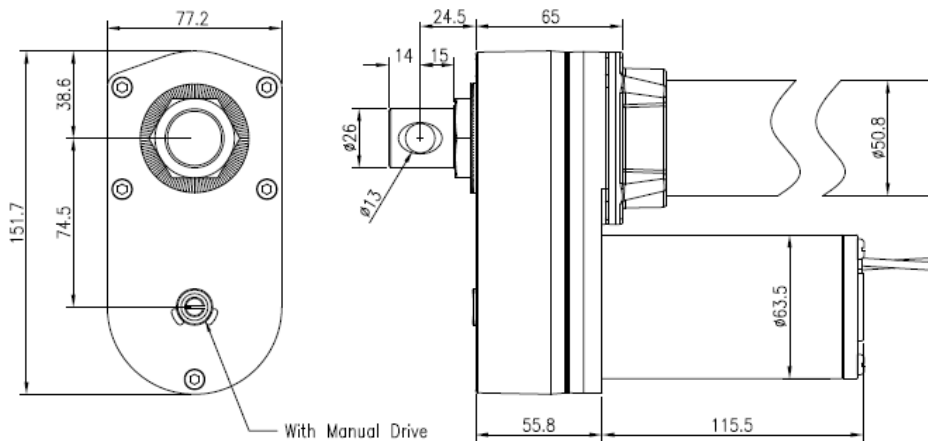
Unit: mm

◆ Rear connector and the orientation of clevis



Unit: mm

◆ Manual drive connector (MD)



\*user needs 8mm hex bit screwdriver (or electric screwdriver) to drive the motor

## Wiring

◆ Please refer to ID10 User Guide.

# Ordering Key

ID10—□□—□□—□—□□□—□□□□□□□□□□—□□

## Input Voltage

12 : 12V DC  
24 : 24V DC

## Gear Ratio

05 : 5:1 (*Ball screw only*)  
10 : 10:1  
20 : 20:1  
30 : 30:1 (*Ball screw only*)  
40 : 40:1

## Spindle Type

A : ACME  
B : Ball Screw

## Stroke

102 : 102mm  
153 : 153mm  
203 : 203mm  
254 : 254mm  
305 : 305mm  
457 : 457mm  
610 : 610mm

## Options

LT : Adjustable limit switch  
POT : Potentiometer  
IP65 : IP65  
MD : Manual drive connector (*Please refer to paragraph Options for compatibility information*)

## Rear Clevis Orientation

: 0° Standard (*keep it blank*)  
C1 : 30° CCW (*view from rear connector*)  
C2 : 60° CCW  
C3 : 90° CCW  
C4 : 30° CW  
C5 : 60° CW

### Terms of Use

The user is responsible for determining the suitability of MOTECK products for specific applications. Due to continuous development in order to improve its products, MOTECK products are subject to frequent modifications and changes without prior notice. MOTECK reserves the right to discontinue the sale of any products displayed on its website or listed in its catalogue or other written materials drawn up by MOTECK.