

Actuator ID10BT

ID10BT is a quiet actuator designed for industrial applications, which is suitable for various applications requiring low noise operation and rapid movement.



Feature

- Main applications: Industrial
- Input voltage: 24V DC
- Max. dynamic: 1000N
- Max. static load: 1500N
- Max. current: 10A @ 24V DC
- Max. speed: 72 mm/sec @ no load
- Stroke: 102 ~ 457 mm
- Duty cycle: 25%, max. 2 min. continuous operation in 8 min.
- Ambient operation temperature: -25°C ~ +65°C
- Life cycle: 25,000 cycles, total stroke 18,000,000 mm
- IP Protection level: IP54
- Spindle type: ACME
- Gear ratio: 4:1
- Color: Black

Option

- IP protection level: IP65

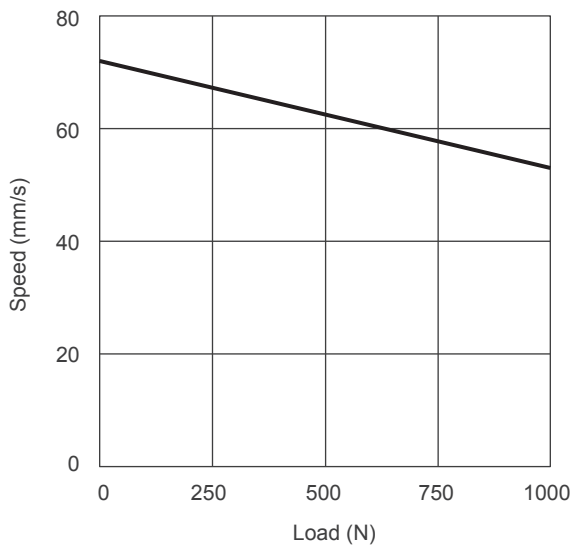
Compatibility

Product	Model	Function
Control Box	CI10	CI10 equips the built-in rocker switch to control the operation for one actuator; no additional handset is required.

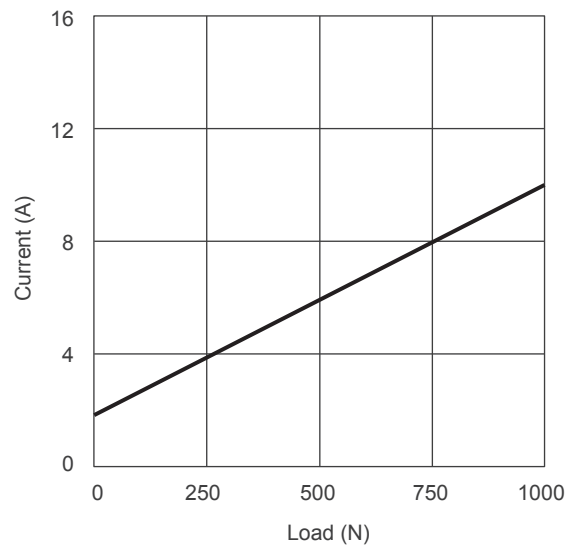
Performance Data

Model No.	Push / Pull Max. (N)	Speed (mm/s)		Current (A) @ 24V DC	
		No load	Full load	No load	Full load
ID10BT-24F5AXXX-0X000XX	1000	72	53	1.8	10

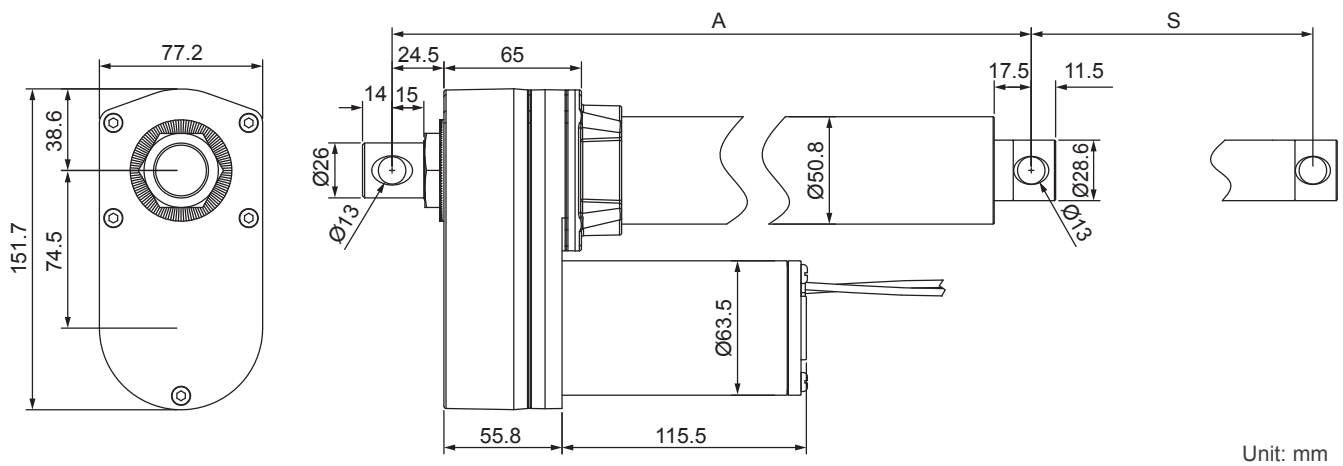
Speed vs. Load



Current vs. Load



Dimensions

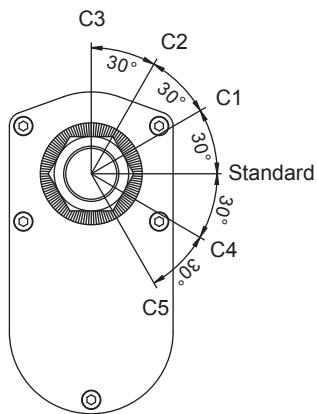


Stroke (S)	102 (4")	153 (6")	203 (8")	254 (10")	305 (12")	457 (18")
Retracted Length (A)	262	313	364	414	465	668

Available stroke (S) range: 102 ~ 457 mm

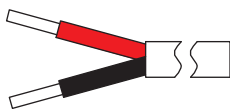
Extended Length: S + A

Rear connector and the orientation of clevis



Wiring

Connect red wire "M+" to "+" & black wire "M-" to "-" of DC power, the actuator will extend.



Color	Definition
Red	M+
Black	M-

Ordering Key

ID10BT - 24 F 5A 102 - 0 0 0 0 4 0

Input voltage	24: 24V DC
Motor code	F
Spindle type	5A: pitch= 5mm, ACME (Refer to Performance Data)
Stroke	102: 102 mm 153: 153 mm 203: 203 mm 254: 254 mm 305: 305 mm 457: 457 mm
Reserved	0: No meaning
Rear clevis orientation	0: 0° (Standard) 3: 30° counter-clockwise (C1) 6: 60° counter-clockwise (C2) 9: 90° counter-clockwise (C3) C: 30° clockwise (C4) F: 60° clockwise (C5) (Refer to sketch of paragraph Dimensions)
Reserved	0: No meaning
IP level	4: IP54 (Standard) 5: IP65
Cable	0: Straight cable with tinned wires, 250mm

Terms of Use

The user is responsible for application suitability of Moteck products. As ongoing improvement process continues, products listed on the Moteck website are subject to change without prior notice. Moteck reserves the right to terminate the sales or remove any product displayed on the website, or listed in its catalogues.