

Junction Box

JB2-M



Features

- ◆ JB2-M belongs to **MoBus** family, which is able to convert the command of membrane switches to Moteck control box with advanced **MoBus** protocol, such as MD6C-M. Customers are allowed to connect JB2-M to customized membrane switches with different button number and definition for different applications.
- ◆ Main applications : homecare, medical
- ◆ Supports 2 membrane switches at the same time
- ◆ Customized membrane switches with different button definition available.
- ◆ Color : light gray RAL7035
- ◆ Cable length : 1500mm straight cable with Moteck V-type DIN plug

Compatibility

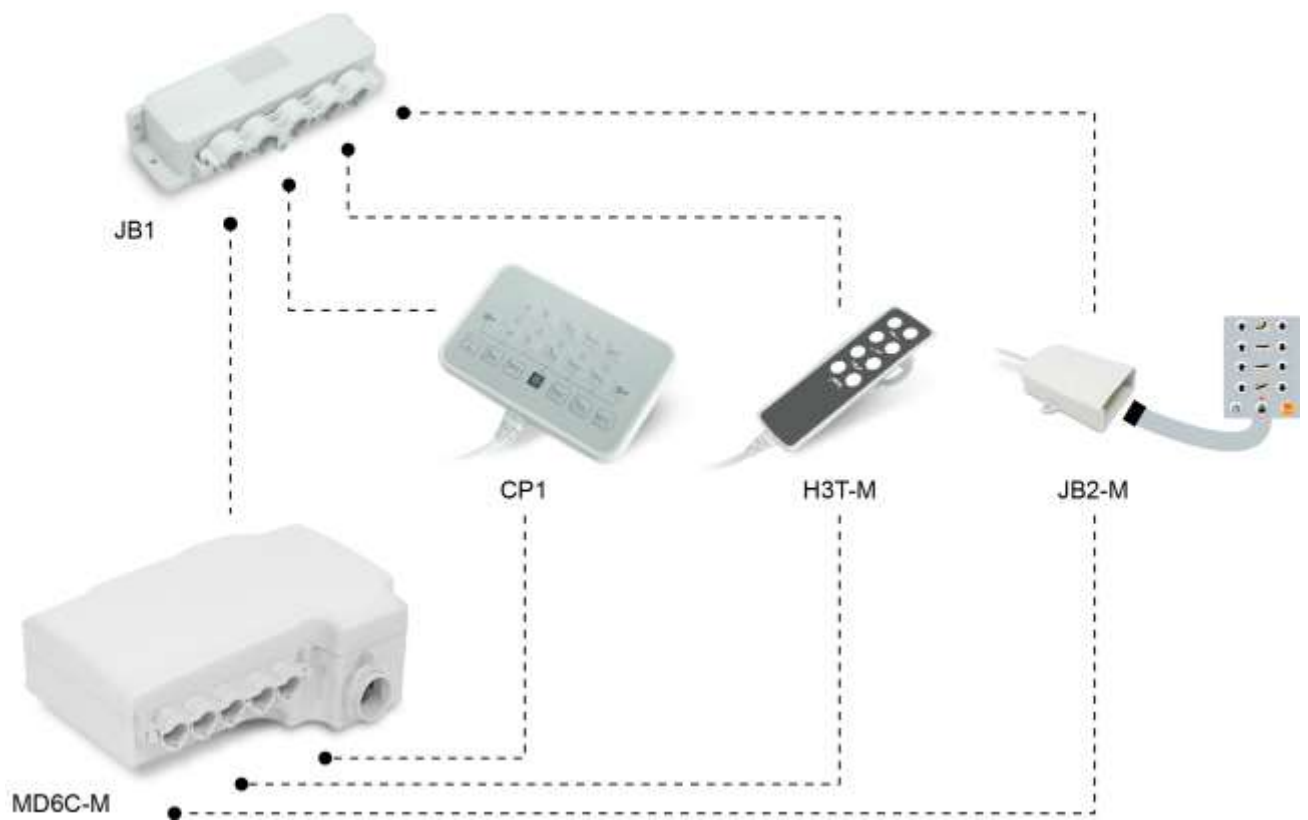
1. Control Box

MD6C-M

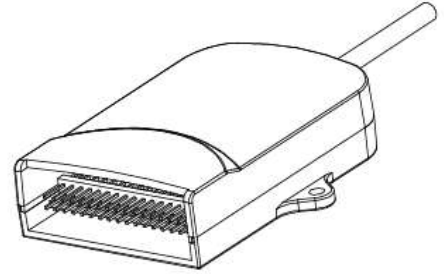
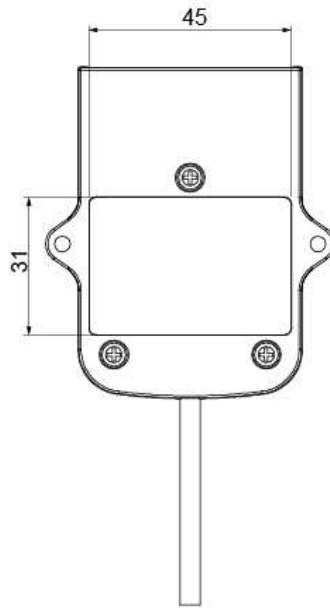
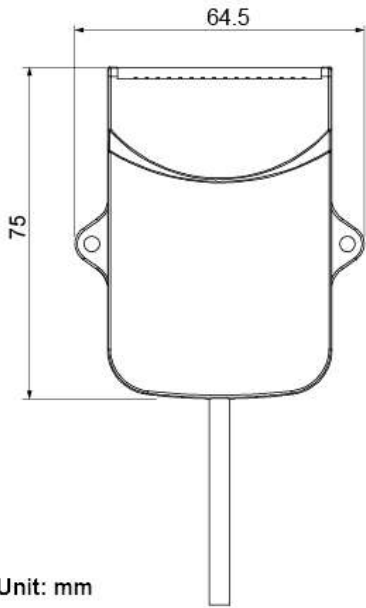
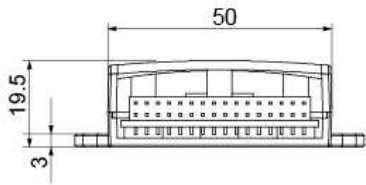
2. Accessory

JB1 Junction Box

MoBus Family



Dimensions



Unit: mm

Ordering Key

JB2 – M – – 0

Key Definition

X : Customized

Cable Length

0 : 1500mm straight cable with Moteck V-type DIN plug

X : Customized

Not used

Terms of Use

The user is responsible for determining the suitability of MOTECK products for specific applications. Due to continuous development in order to improve its products, MOTECK products are subject to frequent modifications and changes without prior notice. MOTECK reserves the right to discontinue the sale of any products displayed on its website or listed in its catalogue or other written materials drawn up by MOTECK.