

Actuator

MD52



Features

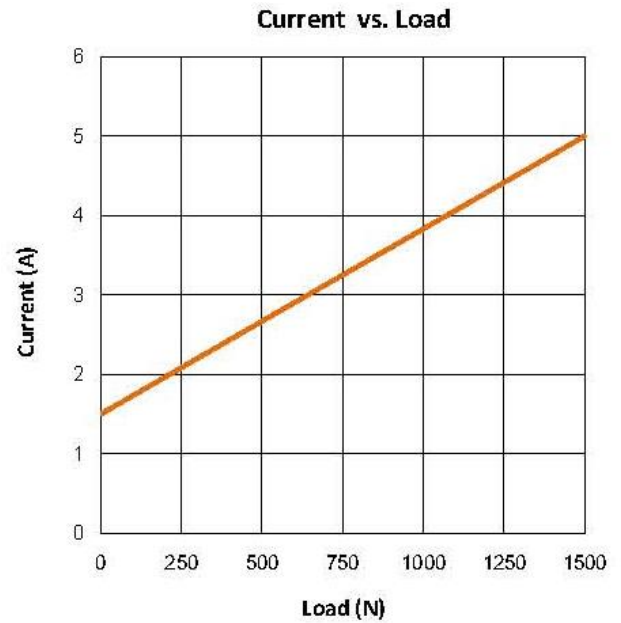
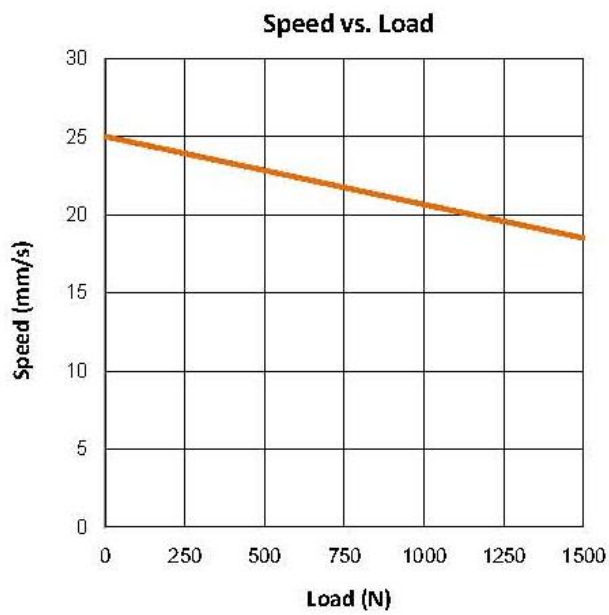
- ◆ MD52 features its stainless extension tube, suitable to work in the harsh condition against dust and rain.
- ◆ Main applications : industrial equipment
- ◆ Input voltage : 24V DC
- ◆ Max. load : 1000N (push / pull)
- ◆ Max. current : 5A @ 24V DC
- ◆ Max. speed : 25mm/sec @ no load
- ◆ Stroke : 100 ~ 300 mm
- ◆ Duty cycle : 10%, max. 2 min. continuous operation in 20 min.
- ◆ Ambient operation temperature : -20°C ~ +40°C
- ◆ IP Protection level : IP66 / IP69K
- ◆ Color : Black
- ◆ Certified : CE Marking, EMC Directive 2014/30/EU and 2004/108/EC
- ◆ Noise Level : ≤ 70 dB
- ◆ Stainless front connector

Options

- ◆ Positioning feedback with potentiometer.
- ◆ Bellow protection, available with 100 mm stroke only.
- ◆ Metal worm wheel for control unit that stops the actuator by over current protection.

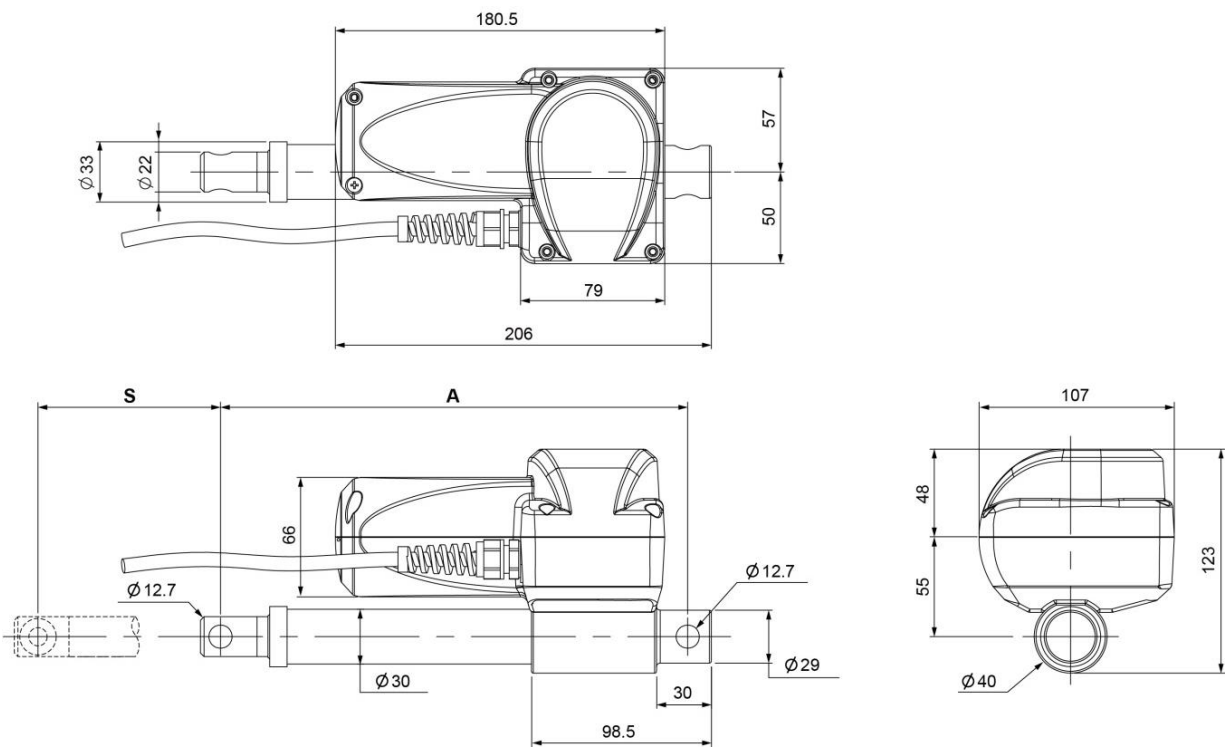
Performance Data

Model No.	Push Load Max. (N)	Pull Load Max. (N)	Speed (mm/s)		Current (A) @ 24V DC	
			No load	Full load	No load	Full load
MD52-24-M6-XXX.XXX-X-X	1000	1000	25.0	18.5	1.5	5.0



— Push / Pull Load

Dimensions



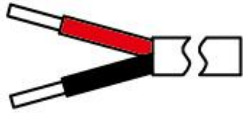
Unit: mm

Stroke (S)	100 ~ 300 mm
Retracted length (A)	$A \geq S + 156$ mm
Extended length (B)	$B = S + A$

Wiring

Connect red wire “M+” to “+” & black wire “M-” to “-” of DC power, the actuator will extend.

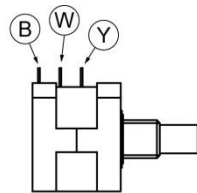
◆ Standard



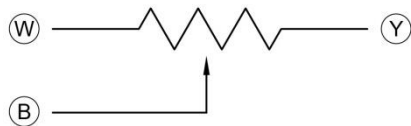
Color	Definition
Red	M+
Black	M-

◆ With potentiometer (POT)

The resistance between blue and yellow wires increases when the actuator extends, and decreases when it retracts.



Color	Definition
Red	M+
White	V Input
Yellow	GND
Blue	RS Output
Black	M-



Ordering Key

MD52—24—M6—□□□.□□□—□**0**□

Input Voltage

24 : 24V DC

Motor and Spindle Type

M6 (Refer to Performance Data)

Retracted Length

Extended Length

Positioning feedback

0 : None

P : Potentiometer (POT)

Reserved

Options

0 : None

1 : Bellow

2 : Metal worm wheel

3 : Bellow + Metal worm wheel

Terms of Use

The user is responsible for determining the suitability of MOTECK products for specific applications. Due to continuous development in order to improve its products, MOTECK products are subject to frequent modifications and changes without prior notice. MOTECK reserves the right to discontinue the sale of any products displayed on its website or listed in its catalogue or other written materials drawn up by MOTECK.