

Control Box

MD6C



Features

- ◆ MD6C is specially designed for medical and home care applications. With its compact design, it can be attached to actuator MD60 or MD66 as an integrated set.
- ◆ Main applications : homecare, medical
- ◆ Input voltage : 100V AC / 120V AC / 230V AC
- ◆ Output voltage : 24V DC
- ◆ Output current : 5A Max.
- ◆ Overload protection current : 5~5.5A (for each actuator independently)
- ◆ Max. number of actuators this control box can drive : 4
- ◆ Emergency Lowering Function w/ 9V DC Battery x 2
- ◆ Duty cycle : 10% or 2 min continuous operation in 20 min.
- ◆ IP protection level : IPX5 (indoor use only)
- ◆ Color : light gray RAL7035
- ◆ Protection class : Class II
- ◆ Cable Length : Straight 3000mm
- ◆ Certified : CE Marking, Medical Devices Directive 93/42/EEC

Options

- ◆ C Clip : To fix MD6C onto MD60 or MD66 actuators
- ◆ Bracket : To fix MD6C on bedstead directly

Compatibility

1. Handset

(1)Wired

P1 communication Type: HA,HC,HD, HF, HJ, HI, HM,HT, H2D,
H2N, H3F, H3N,H3T, H3NT
(with Moteck V type or H type DIN plug)

(2) Wireless

TXH, TXT

2. Actuator

MD60, MD66

(with Moteck V type or H type DIN plug)

3. Accessory

TXA RF 2.4G receiver

(with Moteck V type or H type DIN plug)



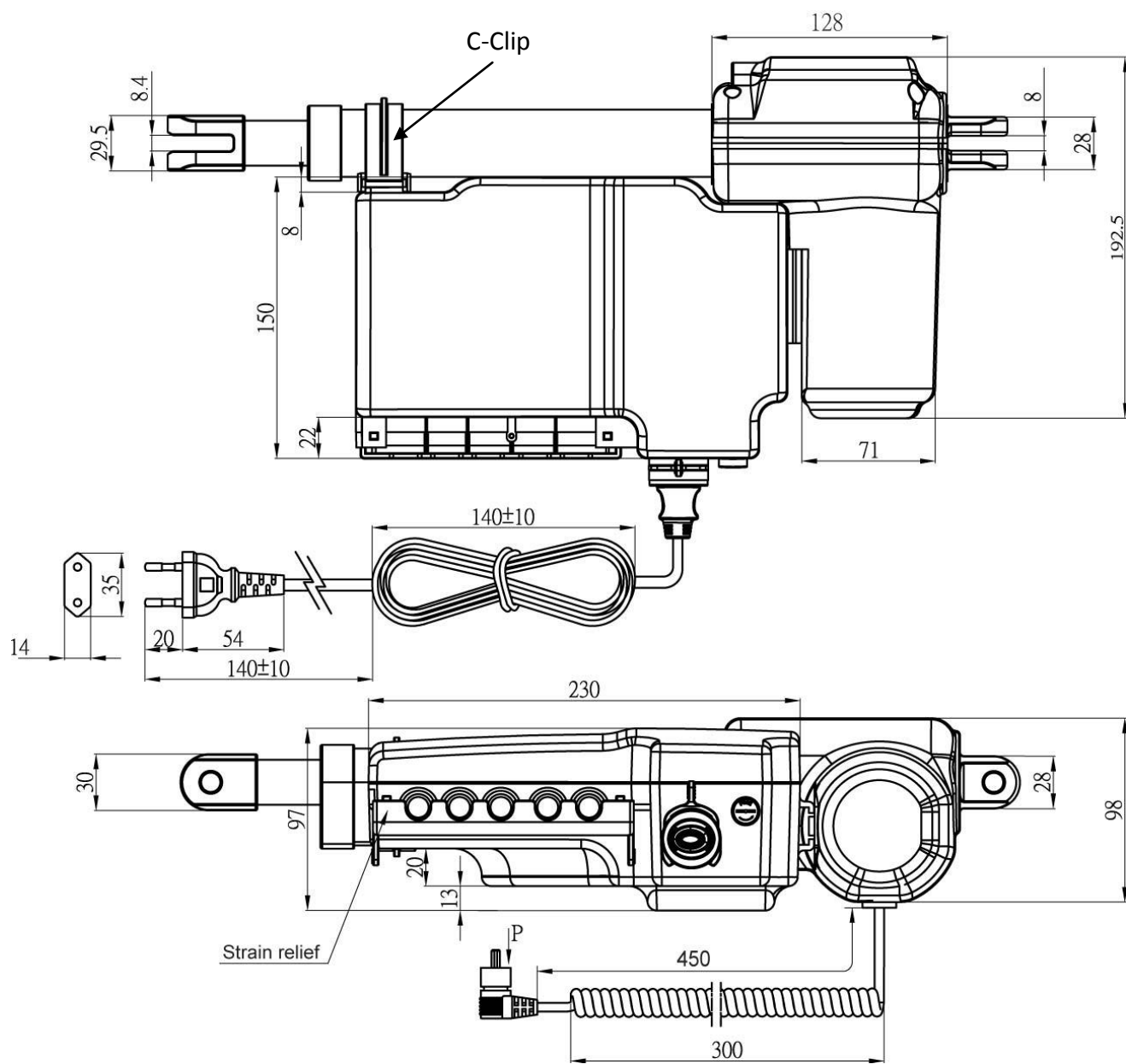
Moteck V type



Moteck H type

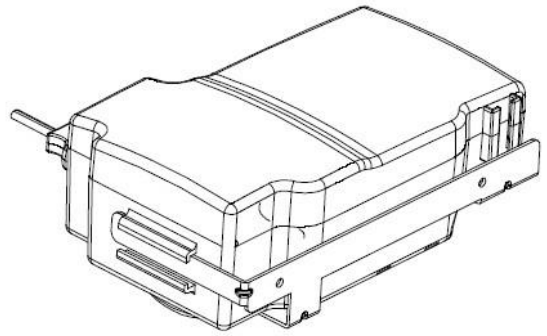
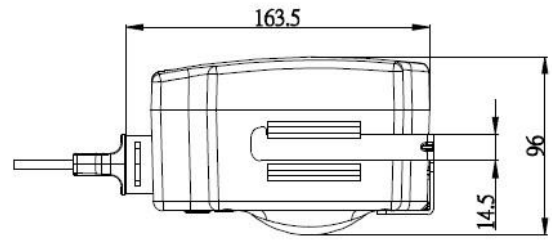
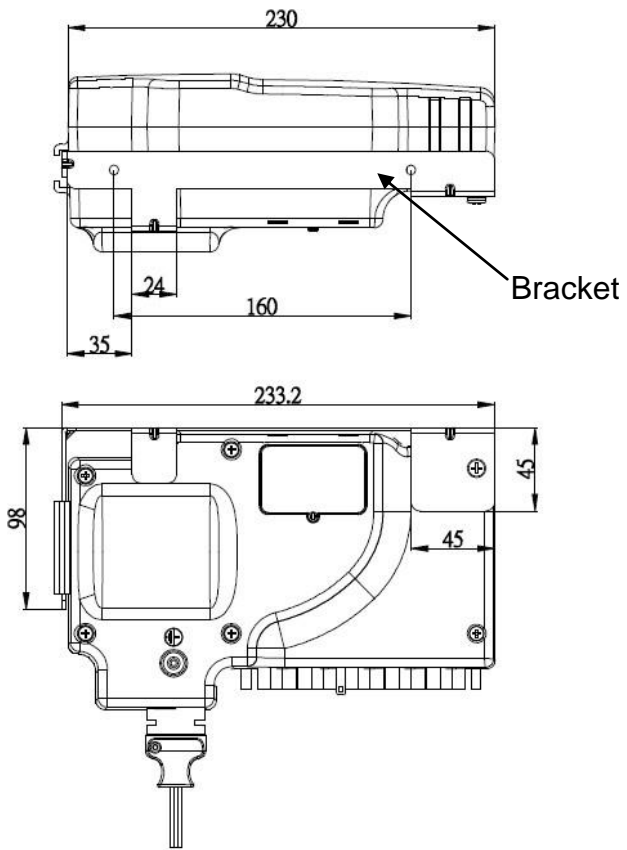
Dimension

◆ Fixed on MD60 actuator with C Clip



Unit: mm

◆ With Fixing Bracket



Unit: mm

Ordering Key

MD6C—□□□—□□—□—□—□00

Input Voltage

100 : 100V AC

120 : 120V AC

230 : 230V AC

Output Voltage

24 : 24V DC

Handset Port

1 : for 1 handset DIN socket

2 : for 2 handset DIN sockets

Actuator Port

1 : for 1 actuator DIN socket

2 : for 2 actuator DIN sockets

3 : for 3 actuator DIN sockets

4 : for 4 actuator DIN sockets (max. 3A output for each)

Option

C : C Clip

B : Bracket

Reserved

Terms of Use

The user is responsible for determining the suitability of MOTECK products for specific applications. Due to continuous development in order to improve its products, MOTECK products are subject to frequent modifications and changes without prior notice. MOTECK reserves the right to discontinue the sale of any products displayed on its website or listed in its catalogue or other written materials drawn up by MOTECK.