

Control Box

MD7C



Features

- ◆ MD7C is specially designed for medical and home care applications. With its compact design, it can be attached to MD7 actuator as an integrated set.
- ◆ Main applications : homeware, medical
- ◆ Input voltage : 100 / 120 / 230V AC
- ◆ Output voltage : 24V DC
- ◆ Overload protection current : 3A (each actuator independently)
- ◆ Max. number of actuators this control box can drive : 4
- ◆ Max. number of handsets : 1
- ◆ Duty cycle : 10% or 2 min continuous operation in 20 min.
- ◆ IP protection level : IPX4
- ◆ Protection class : Class I
- ◆ Emergency Lowering Function w/ 9V DC Battery x 2
- ◆ Color : light gray (RAL7035)
- ◆ Certified : IEC / EN 60601-1, IEC / EN 60601-1-2

Options

◆ IPX5

Compatibility

1. Handset

HF, HK, HT, H3F, HT, FS1, FS2

(DIN plug with Moteck V type and H type housing)



Moteck V type plug housing



Moteck H type plug housing

2. Actuator

MD7

(DIN plug with Moteck V type and H type housing)



Moteck V type plug housing

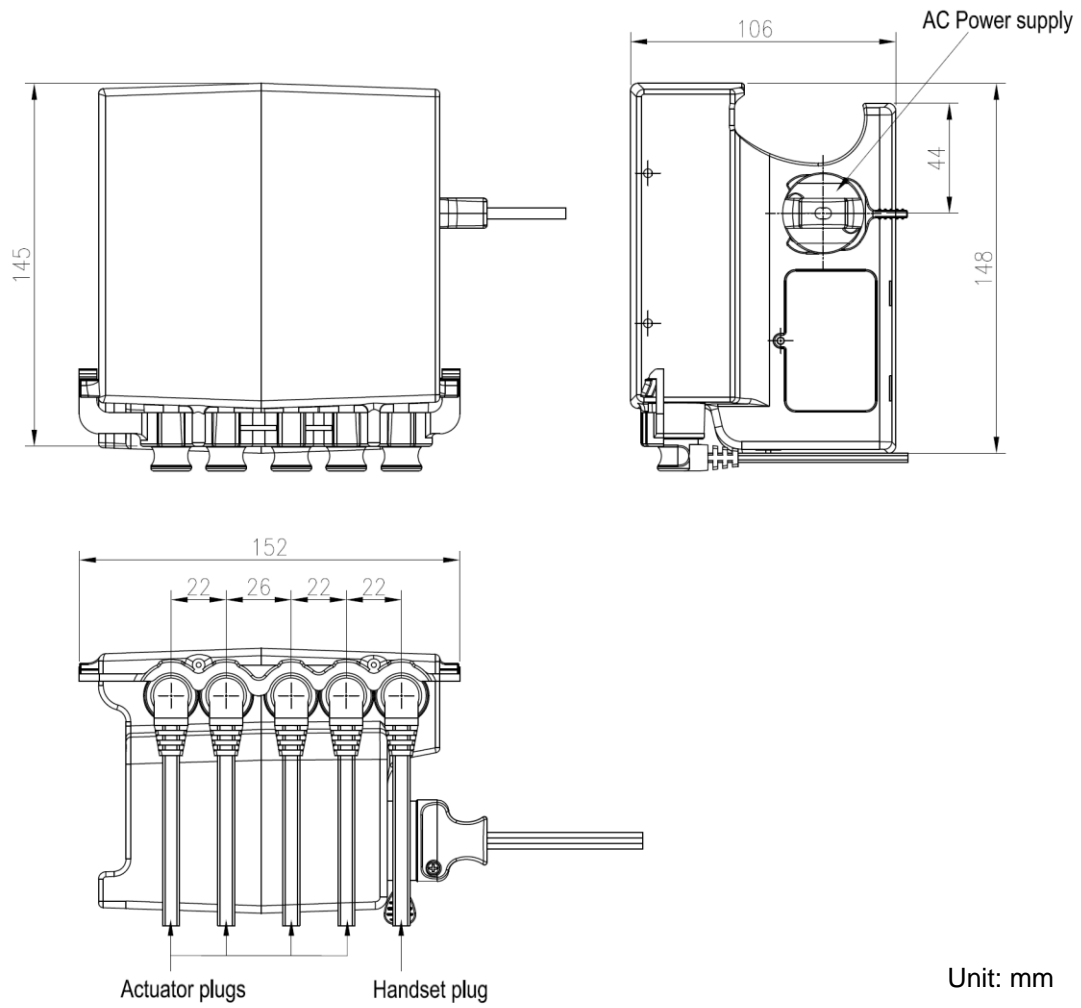


Moteck H type plug housing

3. Accessory

N/A

Dimension



MD7C attached to MD7 actuator

Ordering Key

MD7C—□□□—□□—□—□—□□

Input Voltage

- 100 : 100V AC
- 120 : 120V AC
- 230 : 230V AC

Output Voltage

- 24 : 24V DC

Number of Handsets

- 1 : 1 handset

Number of Motors

- 1 : 1 actuator
- 2 : 2 actuators
- 3 : 3 actuators
- 4 : 4 actuators

Option

- X5 : IPX5

Terms of Use

The user is responsible for determining the suitability of MOTECK products for specific applications. Due to continuous development in order to improve its products, MOTECK products are subject to frequent modifications and changes without prior notice. MOTECK reserves the right to discontinue the sale of any products displayed on its website or listed in its catalogue or other written materials drawn up by MOTECK.