

Actuator

MD80M



Features

- ◆ MD80M is a powerful actuator integrated with control unit and power supply in the housing. In addition to its own actuator, MD80M can connect up to additional 2 actuators and become a 3-motor driving system. MD80M is quiet and water-proof which is designed for use in a variety of medical and home care applications such as patient hoist, hospital bed, nursing bed...etc.
- ◆ Main applications : homecare, medical
- ◆ Max. load : 8000N (push) / 6000N (pull)
- ◆ Max. speed at no load : 16.6mm/sec
- ◆ Max. speed at full load : 11.8mm/sec @ 8000N
- ◆ Stroke : 50 ~ 400mm
- ◆ Input voltage : 230V AC 50Hz / 110V AC 60Hz
- ◆ Output voltage : 24V DC
- ◆ Max. output current : 8 A
- ◆ Number of hand control port: 1
- ◆ Duty cycle : 10% or 2 min. continuous operation in 20 min.
- ◆ IP protection level : IPX4
- ◆ Class I protection against electric shock (with earth)
- ◆ Color : RAL 7035

◆ Certified : **Emission**

EN60601-1-2

CISPR11 Group 1 Class B

IEC 61000-3-2

IEC 61000-3-3

Immunity

EN 60601-1-2

IEC 61000-4-2

IEC 61000-4-3

IEC 61000-4-4

IEC 61000-4-5

IEC 61000-4-6

IEC 61000-4-8

IEC 61000-4-11

- ◆ Noise level : < 53dB
- ◆ Preset limit switches
- ◆ Steel extension tube
- ◆ Working environment temperature : +5 ~ 40°C

Options

- ◆ Max. number of additional actuator connection ports: 2
- ◆ Mechanical push only extension tube
- ◆ Safety nut (in push direction)
- ◆ IPX5 protection level

Compatibility

1. Handset

HC, HD, HF, HT

(DIN plug with Moteck H type housing)



H type plug housing

2. Actuator

MD80

(φ 6.35mm loud speaker plug with Moteck J1 type housing φ 13.8)

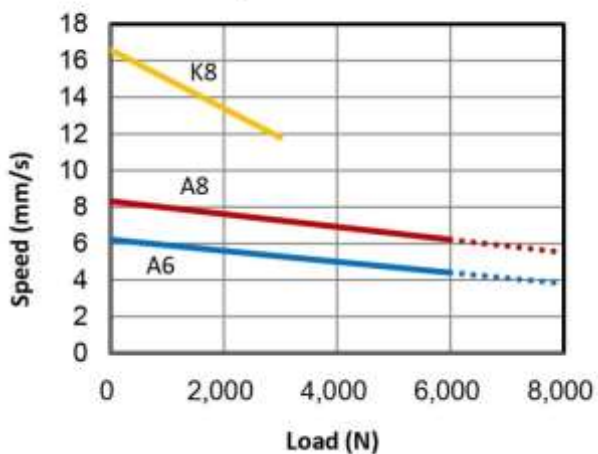


J1 type plug housing

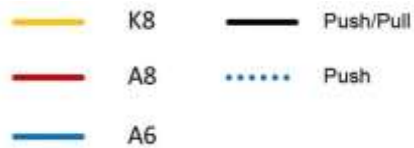
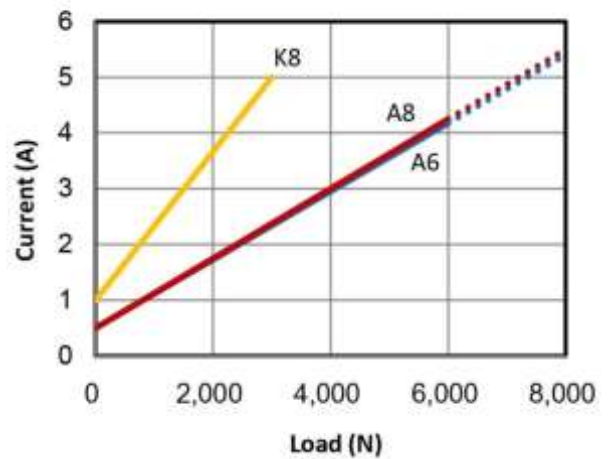
Performance Data

Model No.	Push Max. (N)	Pull Max. (N)	Typical Speed (mm/s)		Current (A) @ 24V	
			No load	Full load	No load	Full load
MD80M-xxA6-xxx.xxx-xxx0xxx	8,000	6,000	6.2	3.8	0.5	5.4
MD80M-xxA8-xxx.xxx-xxx0xxx	8,000	6,000	8.3	5.5	0.5	5.5
MD80M-xxK8-xxx.xxx-xxx0xxx	3,000	3,000	16.6	11.8	1.0	5.0

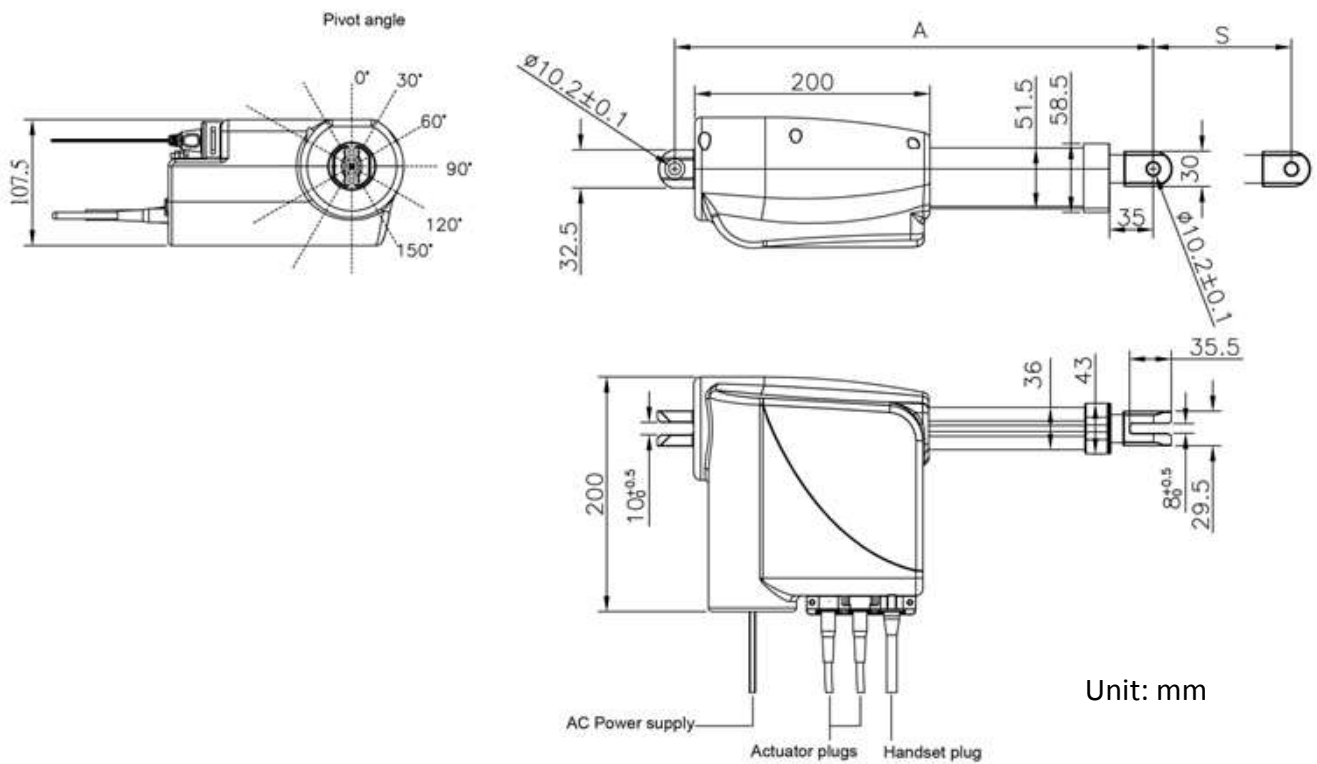
Speed vs. Load



Current vs. Load



Dimensions



Available Installation Length

Option	Min. Retracted Length
Standard	$A \geq S + 210 \text{ mm}$
Safety Nut	Add 5 mm

Remarks: A=Retracted Length, S= Stroke

Ordering Key

MD80M-□□□□-□□□.□□□□-□□□ 0 □□□

Input Voltage

2 : 230V AC 1 : 120V AC

Additional actuator port

0 : None
 1 : 1 port for MD80 actuator
 2 : 2 ports for MD80 actuators

Motor and Spindle Type

A6, A8, K8
 (Refer to paragraph Performance Data)

Retracted Length

(Refer to paragraph Dimensions)

Extended Length

(=Retracted length + Stroke. Refer to Dimensions drawing)

Front Connector

8 : Zinc alloy clevis, Ø10.2 pivot, 8mm slot

Rear Connector

Zinc alloy clevis, Ø10.2 pivot, 10mm slot
 1 : standard 0° 3 : 30° 6 : 60° 9 : 90° C : 120° F : 150°

Safety Options

0 : None S : Safety nut
 P : Push only A : Push only + Safety nut

Reserved

Color

G : RAL7035

IP Protection Level

4 : IPX4 5 : IPX5

Power Cable

2 : Straight 2,000mm 4 : Straight 4,000mm

Terms of Use

The user is responsible for determining the suitability of MOTECK products for specific applications. Due to continuous development in order to improve its products, MOTECK products are subject to frequent modifications and changes without prior notice. MOTECK reserves the right to discontinue the sale of any products displayed on its website or listed in its catalogue or other written materials drawn up by MOTECK.