

# Control Box

## TL01



### Features

- ◆ TL01 is designed for furniture applications, such as twin adjustable bed. It pairs two control boxes up, and each one can connect two actuators and a handset. In addition to working independently, these two systems are also able to do the joint movement with either handset. For space-saving, it can be mounted on FD60 directly, or on other flat surface by optional mounting plate.
- ◆ Main applications : Furniture
- ◆ Input voltage : 230V AC 50Hz / 110V AC 60Hz
- ◆ Output voltage : 24V DC
- ◆ Overload protection current : 3 A (each actuator independently)
- ◆ Max. number of actuators this control box can drive : 4 (2 x head actuator, 2 x foot actuator)
- ◆ Duty cycle : 10%, 2 min continuous operation in 20 min.
- ◆ IP protection level : IP20
- ◆ Protection class : Class II
- ◆ Color : black
- ◆ Support joint-movement function for 2 actuators (not synchronization)
- ◆ Emergent lowering with 2 x 9V DC batteries (batteries not included)
- ◆ Cable length : 3000mm

---

# Options

- ◆ Safety plug (SP4 or SP5), to cut and block AC power at far-end when not in operation.
- ◆ Mounting Plate



SP4



SP5

## Compatibility

### 1. Handset

(1) Wired (Moteck P1 communication Type) :

HC, HD, HF, HI, HJ, HM, H2N, H3F, H3N, H3NT, H2Z, H4N  
(Choose Moteck F-type DIN plug)

(2) Wireless RF 2.4GHz :

TXH3, TXT, TX2T, TXZ

### 2. Actuator

FD20, FD50, FD60, GD70, BD60, BDF60, BDN60,  
LD2, LD3, LD10, LD20  
(Choose Moteck F-type DIN plug)



F-type DIN plug

### 3. Accessory

- (1) TXA4 RF 2.4G receiver
- (2) TBA3 Bluetooth receiver



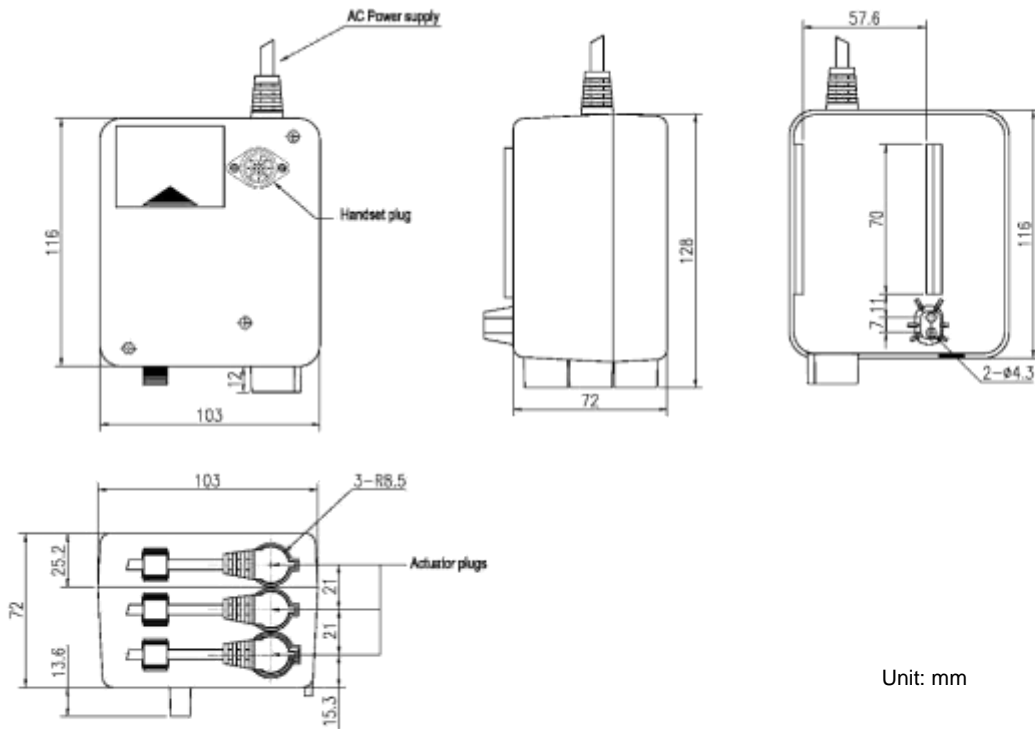
TXA receiver



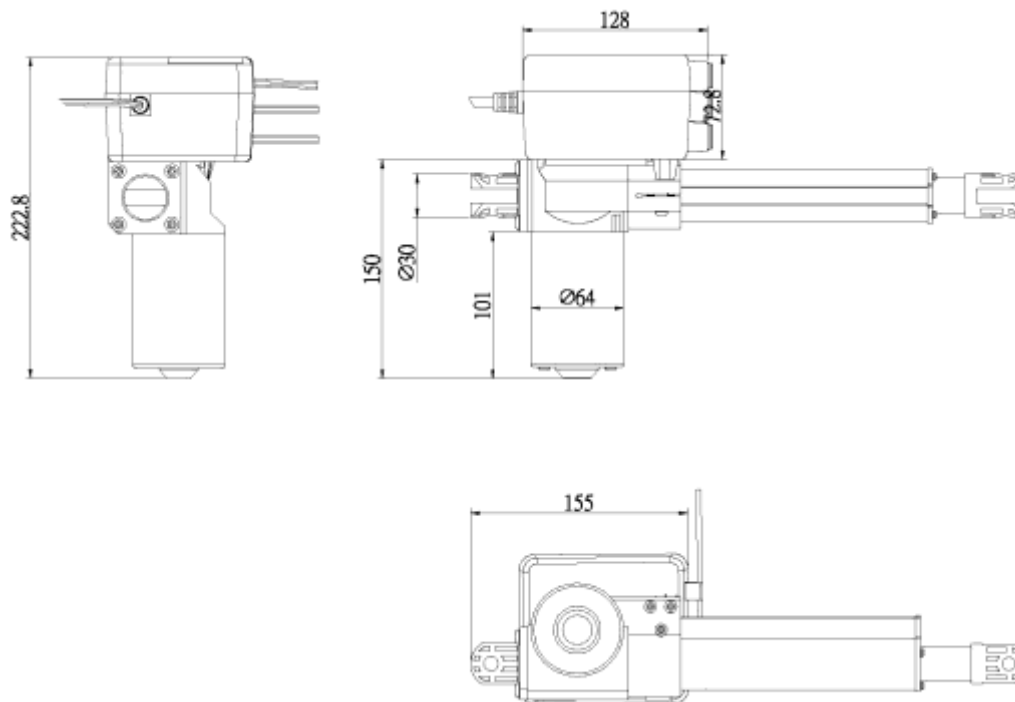
TBA receiver

# Dimension

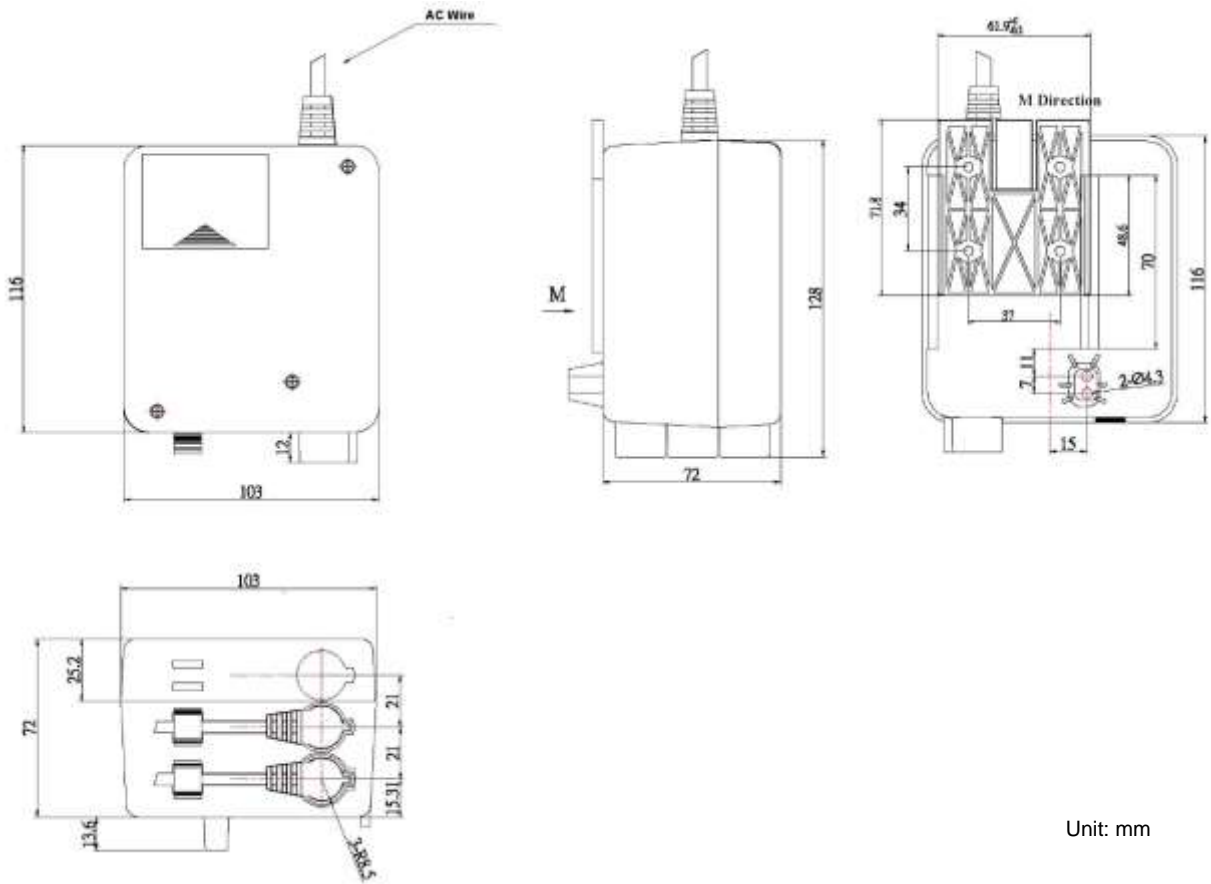
## ◆ Single unit



## ◆ Mounted on FD60 actuator

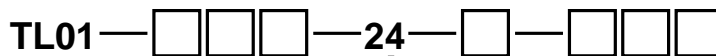


◆ Assembled with mounting plate



Unit: mm

# Ordering Key



## Input

110 : 110V AC  
230 : 230V AC

## Output

24 : 24V DC

## Number of Motor

2 : 2 actuators  
4 : 4 actuators

## Option

Blank : None  
SP4 : Safety Plug, wall-mount plug type  
SP5 : Safety Plug, cord plug type

### Terms of Use

The user is responsible for determining the suitability of MOTECK products for specific applications. Due to continuous development in order to improve its products, MOTECK products are subject to frequent modifications and changes without prior notice. MOTECK reserves the right to discontinue the sale of any products displayed on its website or listed in its catalogue or other written materials drawn up by MOTECK.