

Switching Mode Power Supply

TSW2



Features

- ◆ TSW2 is an external switching mode power supply. It ensures pleasant noise level and has low standby power consumption. It also supports the emergency lowering function, which is able to reset the actuators with additional alkaline batteries during power outages.
- ◆ Main applications : furniture
- ◆ Input voltage : 100V AC~240V AC 60/50Hz
- ◆ Output voltage : 29V DC \pm 5%
- ◆ Max. current : 2.0A @ 29V DC
- ◆ Output over current protection : 5.0~7.0A (230V AC)
- ◆ Input over current protection
- ◆ Output over voltage protection
- ◆ Output short circuit protection
- ◆ Duty cycle : 10% or 2 min continuous operation in 20 min.
- ◆ Protection class : Class II
- ◆ Standby Power Consumption : 0.3~0.4W
- ◆ AC cable length : 3000mm
- ◆ DC connector type : DIN 41529 female
- ◆ Color : Black
- ◆ Certified : ANSI/UL 1310, CAN/CSA-C22.2 No.223, EN60335-1, EN60335-2-29, EN62233, EN55014-1, EN55014-2, EN61000-3-2, EN61000-3-3

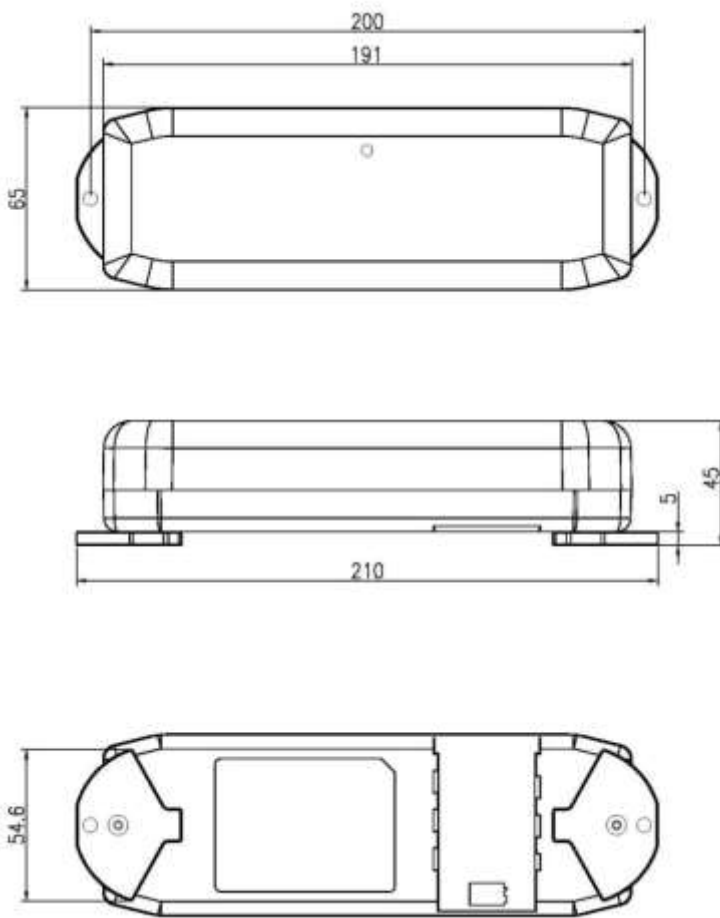
Compatibility

◆ **Control box**

Double motor (TW41 / TW61), CS1, CS2

(DIN 41529 male plug with a flat pin and a circular pin)

Dimension



Unit: mm

Ordering Key

TSW2 — 2920 — B — —

AC Power Cord Length

3 : 3000mm (Standard)

2 : 2000mm

1 : 1000mm

X : Customized

AC Plug Type

A : IEC word plug type A (US plug)

C : IEC word plug type C (EU plug)

Terms of Use

The user is responsible for determining the suitability of MOTECK products for specific applications. Due to continuous development in order to improve its products, MOTECK products are subject to frequent modifications and changes without prior notice. MOTECK reserves the right to discontinue the sale of any products displayed on its website or listed in its catalogue or other written materials drawn up by MOTECK.