

Handset TX2T



Features

- ◆ TX2T is a RF remote handset designed for homecare and furniture applications. Paired with TXA receiver and you can enjoy the cable-free environment. It features with the optional built-in sensor for keypad backlight, which can be triggered and turn on the keypad backlight automatically when user takes up the handset, making it easier to use in darkness. Its soft paint coating provides user with great touch feeling.
- ◆ Main applications : homecare, furniture
- ◆ Frequency : 2.4GHz
- ◆ Operating Distance : approx. 8m
- ◆ Max. number of motors this handset can drive : 2
- ◆ Available number of buttons : 5, 7, 8 or 10
- ◆ LED torch function (blue)
- ◆ Unique RF ID Code
- ◆ Battery : Alkaline AAA x 3
- ◆ Low battery consumption
- ◆ Certified : EN60950-1, EN300440-1, EN-300440-2, EN 55024, IEC 61000-4
- ◆ Handset holder for easy placement

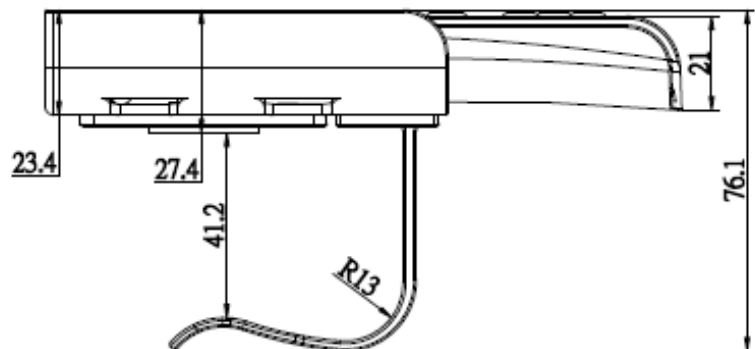
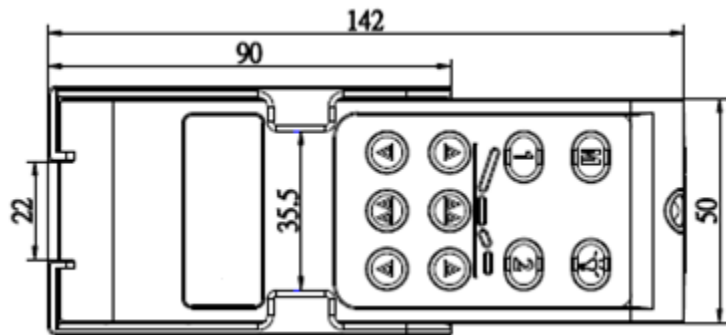
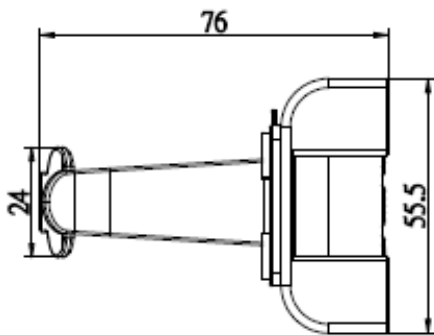
Options

- ◆ Support positions memory function (one touch)
- ◆ Keypad backlight : blue, triggered by accelerometer (g-sensor) and buttons or only buttons
- ◆ Holder with or without hook

Compatibility

Model	RF Receiver
TX2T-05-2-00-XXX-XX TX2T-07-2-01-XXX-XX (Without memory function)	TXA4, TXA6
TX2T-08-2-03-XXX-XX TX2T-10-2-04-XXX-XX (Support memory function)	TXA5, TXA7

Dimensions



Unit : mm

Ordering Key



Number of Buttons

- 05 : 5 buttons
- 07 : 7 buttons
- 08 : 8 buttons
- 10 : 10 buttons

Number of Motors

- 2 : 2 motors

Function

- 00 : None
- 01 : Joint movement
- 03 : Position memory
- 04 : Joint movement and position memory

Accessory

- H3H : Special holder, with 30mm gap hook and 2 pcs adhesive sponge
- H5H : Special holder, with 50mm gap hook and 2 pcs adhesive sponge
- H0H : Special holder, with 2 pcs adhesive sponge (without hook)

Backlight

- 0 : Without backlight
- 1 : Triggered by buttons
- 2 : Triggered by accelerometer and buttons

Panel artwork code

- A~H : Refer to paragraph of Standard Panel Artwork

Standard Panel Artwork

Code	A			B			C			D		
Motors	2 drives			2 drives			2 drives			2 drives		
Button Definition		T			T			T			T	
	1+		2+	1+		2+	1+	1+2+	2+	1+	1+2+	2+
	1-		2-	1-		2-	1-	1-2-	2-	1-	1-2-	2-
Artwork												

Code	E			F			G			H		
Motors	2 drives			2 drives			2 drives			2 drives		
Button Definition	M		T	M		T	M		T	M		T
	M1		M2	M1		M2	M1		M2	M1		M2
	1+		2+	1+		2+	1+	1+2+	2+	1+	1+2+	2+
	1-		2-	1-		2-	1-	1-2-	2-	1-	1-2-	2-
Artwork												

Remarks:

- M: Save memory positions
- T: LED torch
- M1: Go to memory position #1
- M2: Go to memory position #2

- 1+: Number 1 actuator extends.
- 1-: Number 1 actuator retracts.
- 2+: Number 2 actuator extends.
- 2-: Number 2 actuator retracts.

Terms of Use

The user is responsible for determining the suitability of MOTECK products for specific applications. Due to continuous development in order to improve its products, MOTECK products are subject to frequent modifications and changes without prior notice. MOTECK reserves the right to discontinue the sale of any products displayed on its website or listed in its catalogue or other written materials drawn up by MOTECK.