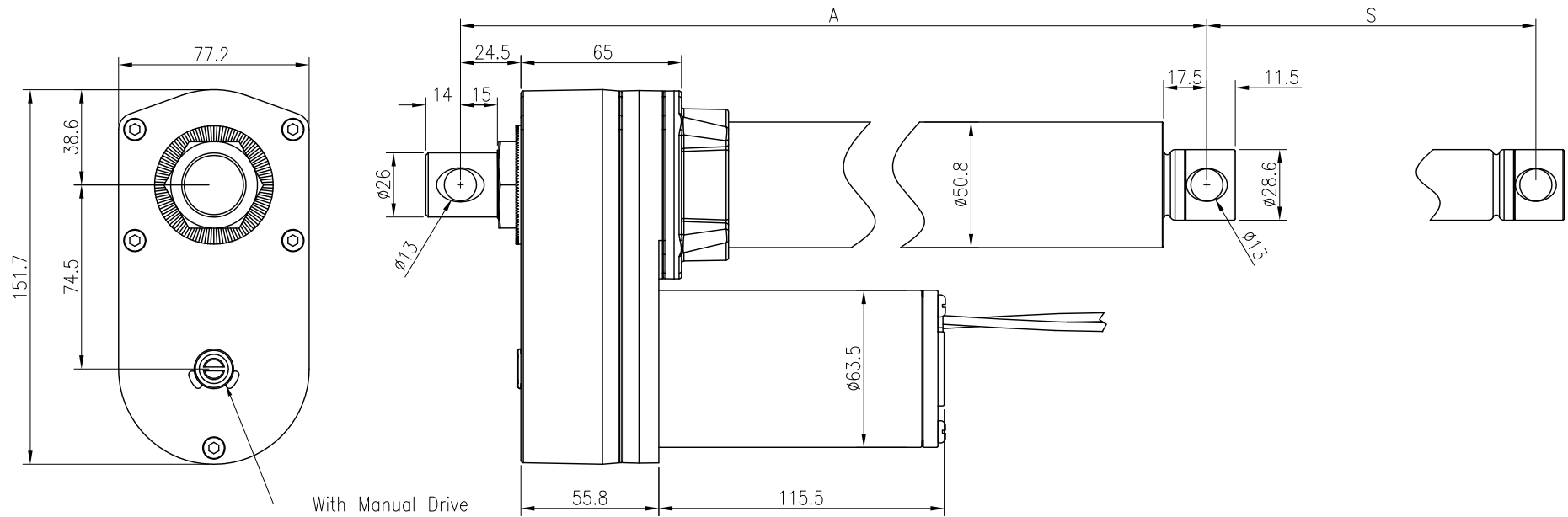


BALL SCREW—with Manual Drive

S±2.5	4"(102)	6"(153)	8"(203)	10"(254)	12"(305)	18"(457)	24"(610)
A±3.8	302	353	404	455	506	735	888



UNIT: mm

 MOTTECK MOTORIZE OUR WORLD	DATE:	14 April 2014
	TITLE:	Linear Actuator ID10