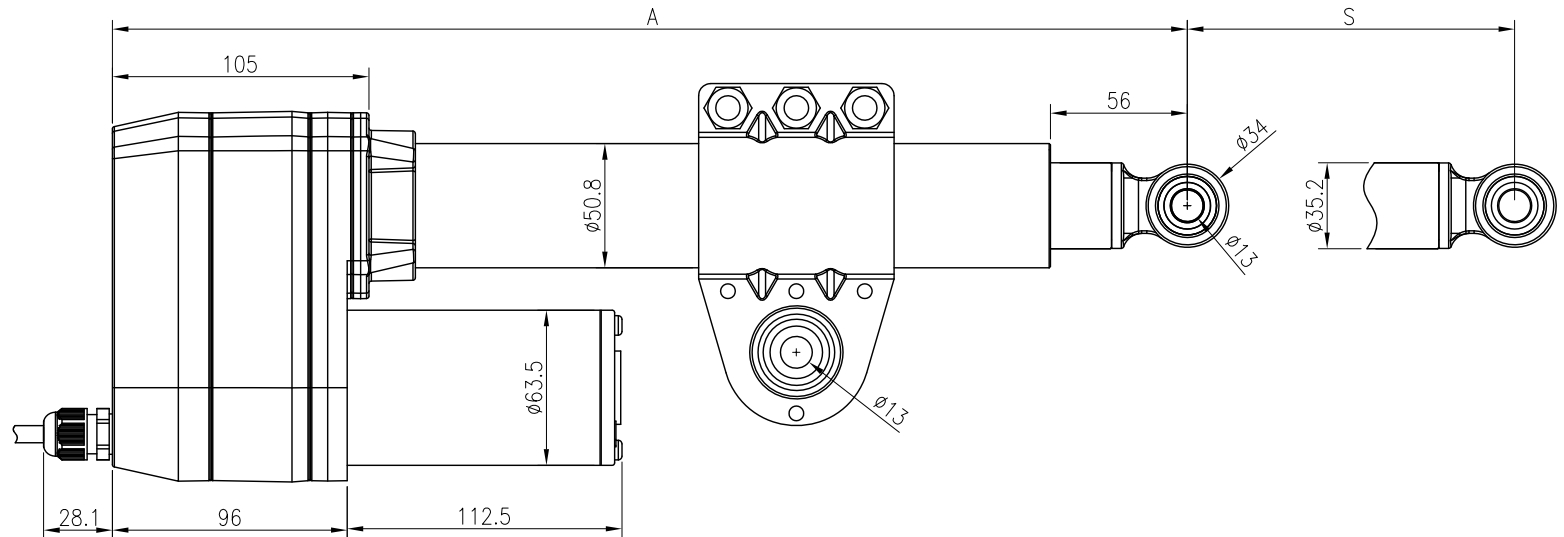
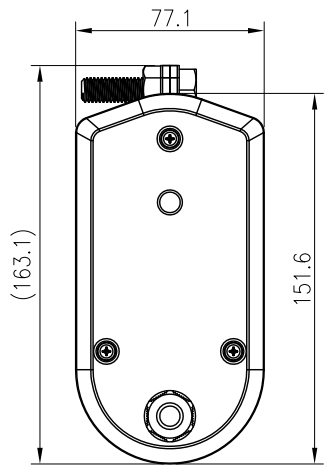


ACME

|         |          |          |          |
|---------|----------|----------|----------|
| S +15.0 | 450(18") | 600(24") | 900(36") |
| A ±5.0  | 764      | 917      | 1269     |



UNIT: mm

|   |               |
|---|---------------|
|  <b>MOTTECK</b> <sup>®</sup><br>MOTORIZE OUR WORLD | DATE:         |
|   | 14 April 2014 |
| TITLE:  |               |
| Linear Actuator ID10S   |               |