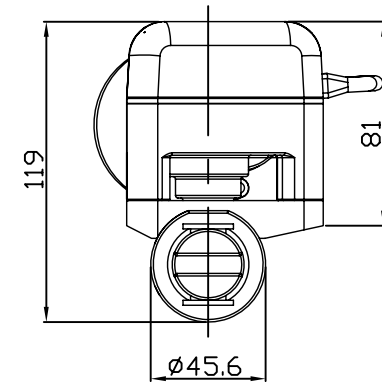
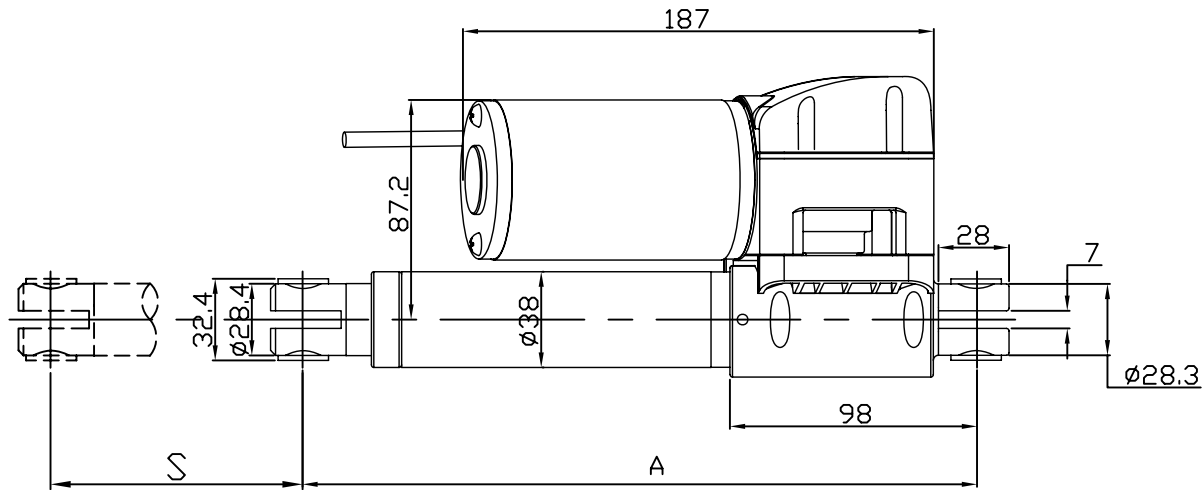
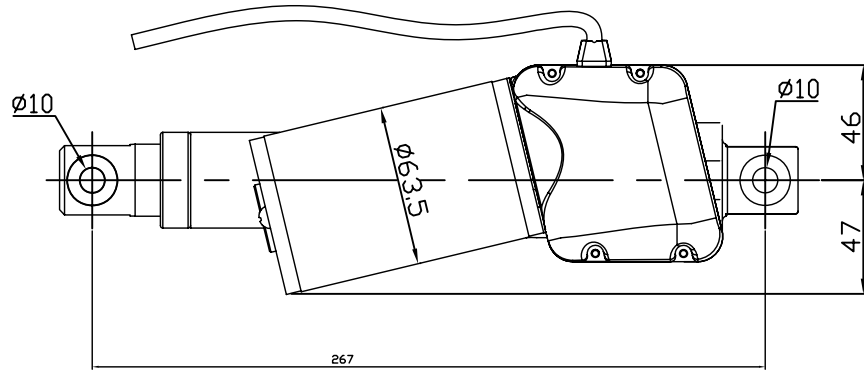


| | | | | | |
|---|-----|-----|-----|-----|-----|
| S | 100 | 150 | 200 | 250 | 300 |
| A | 267 | 317 | 367 | 417 | 467 |



| | |
|---|---------------|
|  MOTTECK [®] MOTORIZE OUR WORLD | DATE: |
| | 14 April 2014 |
| TITLE: | |
| Linear Actuator MD53 | |